

Interfaces

External Hinged Connector Interfaces — Deutsch® DT Series

Our single-junction straight and 90° elbow fittings provide high-integrity connections between Deutsch® DT connectors and Harnessflex® conduit systems.

These fittings are designed to snap together over all types of slit and unslit conduit, thus maintaining maximum conduit bore.

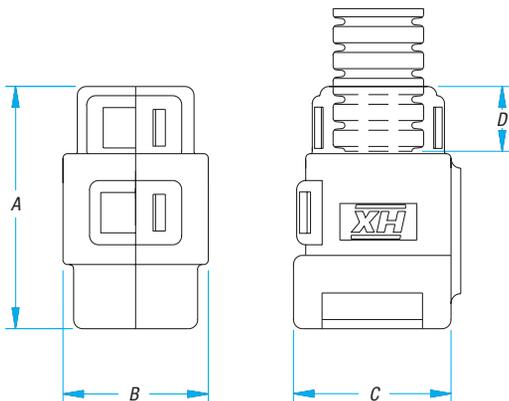
In addition, 90° elbow versions allow the conduit to swivel 360° around the connector housing, sufficient to avoid the problems associated with one-piece interfaces of overflexing due to movement or vibration.

The functionality of a connector when attached to a Harnessflex® product depends on the application, installation and operational criteria determined by the user.

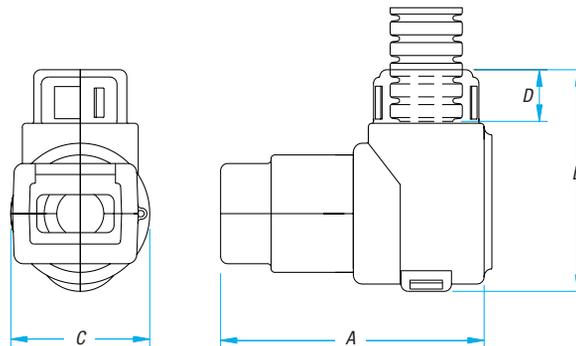
For connector part number reference table, see **page 50**.

NEW

Swivel elbows for NC16 (NW13) are now available for all connector interfaces. Contact Thomas & Betts Technical Support for full details.



Straight Connector



90° Connector

Configurations

CAT. NO. STRAIGHT INTERFACE	CAT. NO. 90° ELBOW SWIVEL INTERFACE	CONDUIT SIZE		CONNECTOR TYPE
		(NC)	(NW)	
CI08-DT2	CI08-90-DT2	08	7.5	2-Way
CI08-DT3	CI08-90-DT3	08	7.5	3-Way
CI08-DT4	CI08-90-DT4	08	7.5	4-Way
CI08-DT6	CI08-90-DT6	08	7.5	6-Way
CI12-DT2	CI12-90-DT2	12	10	2-Way
CI12-DT3	CI12-90-DT3	12	10	3-Way
CI12-DT4	CI12-90-DT4	12	10	4-Way
CI12-DT6	CI12-90-DT6	12	10	6-Way
CI12-DT8	CI12-90-DT8	12	10	8-Way
—	CI12-90-DT12	12	10	12-Way
—	CI16-90-DT8	16	13	8-Way
CI16-DT12	CI16-90-DT12	16	13	12-Way

Nominal Dimensions

CAT. NO. STRAIGHT INTERFACE	DIMENSIONS (MM)				CAT. NO. 90° ELBOW SWIVEL INTERFACE	DIMENSIONS (MM)			
	A	B	C	D		A	B	C	D
CI08-DT2	26	16	18	7	CI08-90-DT2	36	30	19	7
CI08-DT3	30	22	24	12	CI08-90-DT3	44	30	23	7
CI08-DT4	42	18	27	12	CI08-90-DT4	48	30	25	7
CI08-DT6	42	22	27	12	CI08-90-DT6	48	34	25	7
CI12-DT2	26	16	18	7	CI12-90-DT2	36	30	19	7
CI12-DT3	29	22	24	7	CI12-90-DT3	44	30	23	7
CI12-DT4	40	18	27	7	CI12-90-DT4	48	30	25	7
CI12-DT6	40	22	27	10	CI12-90-DT6	48	34	25	7
CI12-DT8	40	25	30	10	CI12-90-DT8	63	37	30	10
—	—	—	—	—	CI12-90-DT12	68	36	38	10
—	—	—	—	—	CI16-90-DT8	63	37	30	10
CI16-DT12	44	24	40	10	CI16-90-DT12	68	36	38	10

Deutsch is a registered trademark of Deutsch Group.

Interfaces

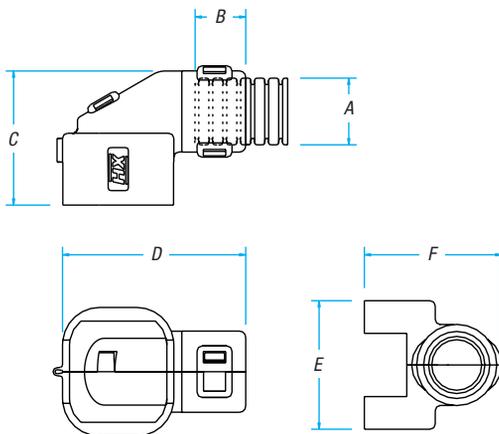
External Hinged Connector Interfaces — Deutsch® DTP04 Series

Our compact 90° elbow fittings provide a dual orientation high-integrity connection between the Deutsch® DTP04 and Harnessflex® conduit systems.

These fittings are designed to snap together over all types of slit and unslit conduit, thus maintaining maximum conduit bore.

The 16-90-DTP04 adapter will snap into the outlet of a 16mm hinged fitting, including types “Y” (YPS), “T” (TPS), elbows (EPS) and joiners (JPS).

For connector catalog number reference table, see **page 50**.

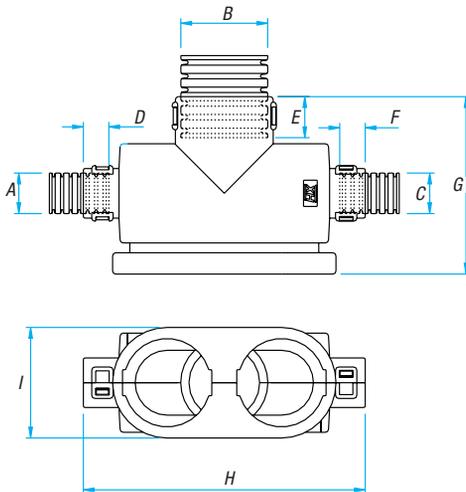


CAT. NO.	CONDUIT SIZE A		NOMINAL DIMENSIONS (MM)				
	(NC)	(NW)	B	C	D	E	F
C112-90-DTP04	12	7.5	10	27	37	25	28
16-90-DTP04	—	—	—	27	35	25	27

External Hinged Connector Interfaces — Deutsch® DRC50 Series

Two identical half shells snap together onto the twin outlets of the Deutsch® DRC50 interface, creating a three-way conduit fitting.

These fittings are designed to snap together over all types of slit and unslit conduit, thus maintaining maximum conduit bore.



CAT. NO.	CONDUIT SIZES											
	(NC)			(NW)			NOMINAL DIMENSIONS (MM)					
	A	B	C	A	B	C	D	E	F	G	H	I
C1121212-DRC50	12	12	12	10	10	10	8	8	8	50	92	36
C1122812-DRC50	12	28	12	10	23	10	8	10	8	58	92	36
C1201220-DRC50	20	12	20	17	10	17	10	8	10	50	92	36
C1202820-DRC50	20	28	20	17	23	17	10	10	10	58	92	36
C1251225-DRC50	25	12	25	22	10	22	10	8	10	50	92	36
C1252825-DRC50	25	28	25	22	23	22	10	10	10	58	92	36

Deutsch is a registered trademark of Deutsch Group.