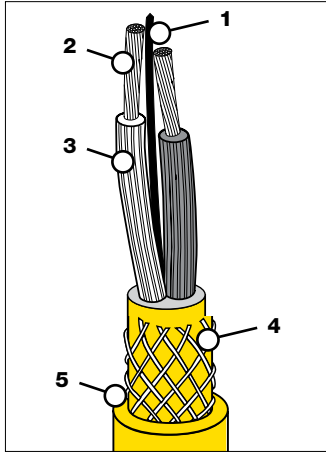


Super-Trex® Type W / Type TC Portable Power & Automation Cable

- UL Listed
- MSHA Approved
- Type W – 2,000 V
- Suitable for Class I, II, III, Division 1 & 2*
- UV Resistant
- cUL Listed (8 AWG to 2 AWG)
- ICEA S-75-381
- Type TC-ER – 2,000 V
- Max Conductor Temperature 90°C
- Extra Hard Usage

Super-Trex® Type W/ Type TC-ER Portable Power and Automation Cable is rated for Extra Hard Usage. This portable power cable has excellent resistance to abrasion, impact, tearing, and most industrial chemicals. Features an integral fill, dual layered fiber reinforced jacket and live-flex ribbed insulation for added strength. Security yellow TSE jacket allows for extreme all weather flexibility.



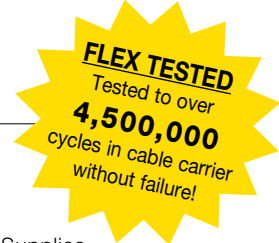
FEATURES & BENEFITS

- 1. NO-WICK REINFORCED SYNTHETIC FILLERS** – Adds tensile strength. Improves flexibility. Won't wick up liquids. Acts like a shock absorber to reduce damage from impact. (2 conductor only.)
- 2. FLEXIBLE CONCENTRIC ROPE LAY BUNCH STRANDED COPPER** – Provides longer life in reeling, flexing and twisting applications.
- 3. LIVE-FLEX RIBBED EPR RATED 90°C** – Ribbed to prevent kinking and breakage due to twisting and flexing. Resists dry rot. High dielectric, tensile and mechanical properties.
- 4. POLYESTER TIRE CORD REINFORCING BRAID EMBEDDED IN JACKET** – Provides added strength. Improves cable resistance to impact, abrasion, twisting and pulling.
- 5. HEAVY-DUTY SECURITY YELLOW SUPER-TREX® TSE DOUBLE PASS JACKET** – Provides superior first-line defense against industrial and environmental abuse. Resists tearing, abrasion, oil, impact, ozone and most chemicals. Flame and heat resistant. Extreme all-weather flexibility.

Conductor Color Code	
#	BASE COLOR
2	Black, White
3	Black, Red, Green
4	Black, White, Red, Green
5	Black, White, Red, Green, Orange
6	Black, White, Red, Green, Orange, Blue

APPLICATIONS

- Arc Welders
- Movie Studio Power
- Automated Equipment
- Pumps and Heaters
- Robotic Welding
- Railroad Stand-by Power
- Conveyors and Cranes
- Retractable Reels
- Generator Power
- Saws and Drills
- Lifting Magnets
- Shovels and Dredges
- Mining Machines
- Temporary & Emergency Power
- Mobile Equipment
- Transfer Cars and Loaders
- Robot Power Supplies
- Tray Cable Applications



CASE STUDY:
PGS. 285 & 287

ORDERING INFORMATION (MINIMUM PURCHASE MAY BE REQUIRED IF PRODUCT NOT STOCKED)

PART NO.	CORD SIZE AWG/COND	CONDUCTOR STRANDING	AMPACITY ¹	JACKET THICK (IN)	NOMINAL O.D. (IN)	WT. (LBS) PER 1000'	MIN. BEND RADIUS (IN)	FLAME RATING	TC	TC-ER	MSHA
85404	8/2	133 (7 x 19)	74	0.141	0.950	512	7.60	FT-1	•		•
85406	6/2	259 (7 x 37)	99	0.141	1.050	626	8.40	FT-4	•		•
85407	4/2	259 (7 x 37)	130	0.141	1.150	823	9.20	FT-4	•		•
85408	2/2	259 (7 x 37)	174	0.141	1.265	1094	10.12	FT-4	•		•
85411	1/0-2	1064 (19 x 56)	234	0.156	1.625	1766	13.00	FT-4	•		
85203	8/3	133 (7 x 19)	65	0.141	1.00	598	8.00	FT-1		•	•
85205	6/3	259 (7 x 37)	87	0.141	1.080	742	8.64	FT-4		•	•
85257	4/3	259/28	114	0.141	1.225	997	9.80	FT-4		•	•
85259	2/3	259/26	152	0.141	1.34	1353	10.72	FT-4		•	•
85255	1/0-3	1050 x 30	205	0.156	1.70	2328	13.60	FT-4		•	
85204	8/4	133 (7 x 19)	65	0.141	1.07	706	8.56	FT-1		•	•
85206	6/4	259 (7 x 37)	87	0.141	1.18	914	9.44	FT-4		•	•
85215	6/5	259 (7 x 37)	69	0.141	1.280	1077	10.24	FT-4		•	•
85606	6/6	259 (7 x 37)	69	0.141	1.39	1262	11.04	FT-4		•	•
85208	4/4	259 (7 x 37)	114	0.141	1.38	1229	11.12	FT-4		•	•
85210	2/4	259 (7 x 37)	152	0.141	1.46	1684	11.68	FT-4		•	•

NOTE: (1) Based on an ambient temperature of 30°C and conductor temperature of 90°C per NEC 2014, Table 400.5(A)(2).
*When installed in accordance with NEC guidelines sections, 501.140, 502.140, 503.140.

Portable Cords
 Power Cables (600 Volt to 35 KV)
 Welding Cables
 VFD/Servo Motor Cables
 Reeling Cables
 Control Cables/Instrumentation
 Bus Cables
 Flat Station Cables
 Retractable Cables
 Chemical & Temp. Resistant Cables
 High Temperature Cables
 Igniter Cables
 Thermocouple Extension Wires
 Engineered Custom Cables