



Options

| Fits | 3" Front or Rear Extender | Cable Chase Lift Off Front & Back Only | Cable Chase Top Only | Front Trim Kit (Silver) | Front Trim Kit (Black) | Front Doors | | | | | Cable Entry Rear Door |
|--------------------|---------------------------|--|----------------------|-------------------------|------------------------|-------------|---------|---------|--------------------|-------------------|-----------------------|
| | | | | | | Solid | Plexi | Vented | Curved Door Vented | Curved Door Plexi | |
| BGR 45 space racks | BGR-45-EXT3 | BGR-CC-45FB | BGR-CC-38LT | BGR-TRIM45 | BGR-TRIM45B | BFD-45 | BPFD-45 | BVFD-45 | VFD-45A | PFD-45A | BGR-RDC45 |
| BGR 41 space racks | BGR-41-EXT3 | BGR-CC-41FB | BGR-CC-32LT | BGR-TRIM41 | BGR-TRIM41B | BFD-41 | BPFD-41 | BVFD-41 | VFD-41A | PFD-41A | BGR-RDC41 |
| BGR 38 space racks | — | BGR-CC-38FB | BGR-CC-27LT | BGR-TRIM38 | BGR-TRIM38B | BFD-38 | BPFD-38 | BVFD-38 | VFD-38A | PFD-38A | BGR-RDC38 |
| BGR 25 space racks | — | — | — | BGR-TRIM25 | BGR-TRIM25B | BFD-25 | BPFD-25 | BVFD-25 | VFD-25A | PFD-25A | BGR-RDC25 |
| BGR 19 space racks | — | — | — | BGR-TRIM19 | BGR-TRIM19B | BFD-19 | BPFD-19 | BVFD-19 | VFD-19A | PFD-19A | BGR-RDC19 |

| Commercial Caster Kit (adds 1") | Inner Platform Base | Leveling Feet* | Seismic Anchor Kit | Ground Isolation Kit | Seismic Ground Iso Kit | 21" wide Solid Top Panels | Vented Top Panels | Top Rail Reducer Kits | Fan Tops | Thermostatically Controlled Fan Tops | Set of 2 BGR Drift Pins for Ganging Racks | Vent Blocker Kit | Rear Door Document Pocket |
|---------------------------------|---------------------|----------------|--------------------|----------------------|------------------------|---------------------------|-------------------|-----------------------|---------------------|--------------------------------------|---|-------------------------|---------------------------|
| CBS-BGR | BS-BGR | LF-HD | BGR-Z4 | BGR-ISO | BGR-ISO-Z4 | BGR-STP3 | — | — | BGR-276FT (276 CFM) | BGR-276FT-FC (276 CFM) | TDRIFT | VBK-BGR (for BGR) | DOC-SACK |
| — | — | — | — | — | — | BGR-STP4 | — | BGR-TRR4 | BGR-552FT (552 CFM) | BGR-552FT-FC (552 CFM) | — | VBK-BGR-SA (for BGR-SA) | — |
| — | — | — | — | — | — | BGR-STP9 | BGR-LVT9 | BGR-TRR9 | — | — | — | — | — |

*Leveling Feet adjust from 7/8" to 2-3/4"

Rail Depth Indicator

front to rear markings on rail bracket allow for easy rail placement

| Accommodates | Bays | Riser Bases | Raised Floor Riser Feet | Raised Floor Support Angles | Seismic Riser Bases | Seismic Brackets (1 Set Required Per Rack) | Rack Isolation Kit | Multi-Bay Floor Layout Template |
|---------------------|------|--------------|-------------------------|-----------------------------|---------------------|--|--------------------|---------------------------------|
| BGR 27" depth racks | 1 | RIB-1-BGR-27 | VFEET-1-12 | BANGLE-1 | — | — | — | BGR-TEMP-27 |
| BGR 27" depth racks | 2 | RIB-2-BGR-27 | VFEET-2-12 | BANGLE-2 | — | — | — | BGR-TEMP-27 |
| BGR 27" depth racks | 3 | RIB-3-BGR-27 | VFEET-3-12 | BANGLE-3 | — | — | — | BGR-TEMP-27 |
| BGR 27" depth racks | 4 | RIB-4-BGR-27 | VFEET-4-12 | BANGLE-4 | — | — | — | BGR-TEMP-27 |
| BGR 27" depth racks | 5 | RIB-5-BGR-27 | VFEET-5-12 | BANGLE-5 | — | — | — | BGR-TEMP-27 |
| BGR 32" depth racks | 1 | RIB-1-BGR-32 | VFEET-1-12 | BANGLE-1 | SRB-1-BGR-3224 | BGR-Z4/BGR-ISO-Z4 | BGR-ISO | BGR-TEMP-32 |
| BGR 32" depth racks | 2 | RIB-2-BGR-32 | VFEET-2-12 | BANGLE-2 | SRB-2-BGR-3224 | BGR-Z4/BGR-ISO-Z4 | BGR-ISO | BGR-TEMP-32 |
| BGR 32" depth racks | 3 | RIB-3-BGR-32 | VFEET-3-12 | BANGLE-3 | SRB-3-BGR-3224 | BGR-Z4/BGR-ISO-Z4 | BGR-ISO | BGR-TEMP-32 |
| BGR 32" depth racks | 4 | RIB-4-BGR-32 | VFEET-4-12 | BANGLE-4 | — | — | — | BGR-TEMP-32 |
| BGR 32" depth racks | 5 | RIB-5-BGR-32 | VFEET-5-12 | BANGLE-5 | — | — | — | BGR-TEMP-32 |
| BGR 38" depth racks | 1 | RIB-1-BGR-38 | VFEET-1-12 | BANGLE-1-38 | SRB-1-BGR-3824 | BGR-Z4/BGR-ISO-Z4 | BGR-ISO | BGR-TEMP-38 |
| BGR 38" depth racks | 2 | RIB-2-BGR-38 | VFEET-2-12 | BANGLE-2-38 | SRB-2-BGR-3824 | BGR-Z4/BGR-ISO-Z4 | BGR-ISO | BGR-TEMP-38 |
| BGR 38" depth racks | 3 | RIB-3-BGR-38 | VFEET-3-12 | BANGLE-3-38 | SRB-3-BGR-3824 | BGR-Z4/BGR-ISO-Z4 | BGR-ISO | BGR-TEMP-38 |
| BGR 38" depth racks | 4 | RIB-4-BGR-38 | VFEET-4-12 | BANGLE-4-38 | — | — | — | BGR-TEMP-38 |
| BGR 38" depth racks | 5 | RIB-5-BGR-38 | VFEET-5-12 | BANGLE-5-38 | — | — | — | BGR-TEMP-38 |

NOTE: Crating Services available, see web or call for details.





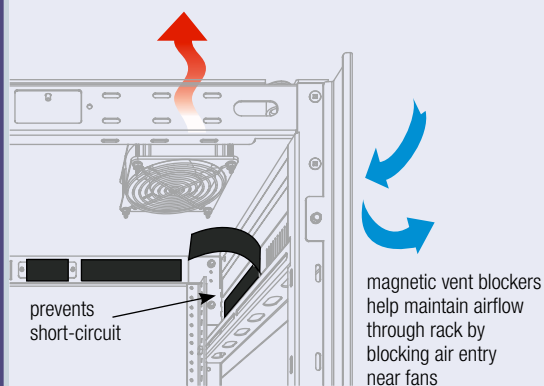
Vent Blockers and Rear Door Kits

Vent Blockers and Rear Door Kits

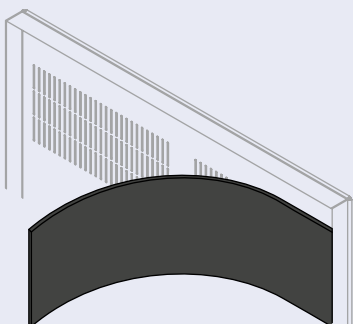
Vent Blockers

Vent blockers are used to prevent the recirculation of hot air between top-mount fans and nearby vent openings. Vent blockers should be placed over the enclosure's vents located on the upper front of the enclosure, upper sides, and upper rear door (depending on enclosure).

This will ensure that heated enclosure air will be forced out through the top-mounted exhaust fans instead of re-circulating, keeping equipment cool.



Vent Blockers mount to the inside of enclosures to block airflow



| Part # | Used On |
|-------------|------------------------|
| VBK-W27-W32 | WRK-xx27 & WRK-xx-32 |
| VBK-WSA27 | WRK-xxSA-27 |
| VBK-WSA32 | WRK-xxSA-32, WR-xx-32* |
| VBK-E20 | ERK-xx20, DWR-xx-26 |
| VBK-E25 | ERK-xx25 |
| VBK-SCRK27 | SCRK Series |
| VBK-D17 | DWR-xx-17 |
| VBK-SD-22 | SR-40-22, DWR-xx-22 |
| VBK-S28 | SR-xx-28 |

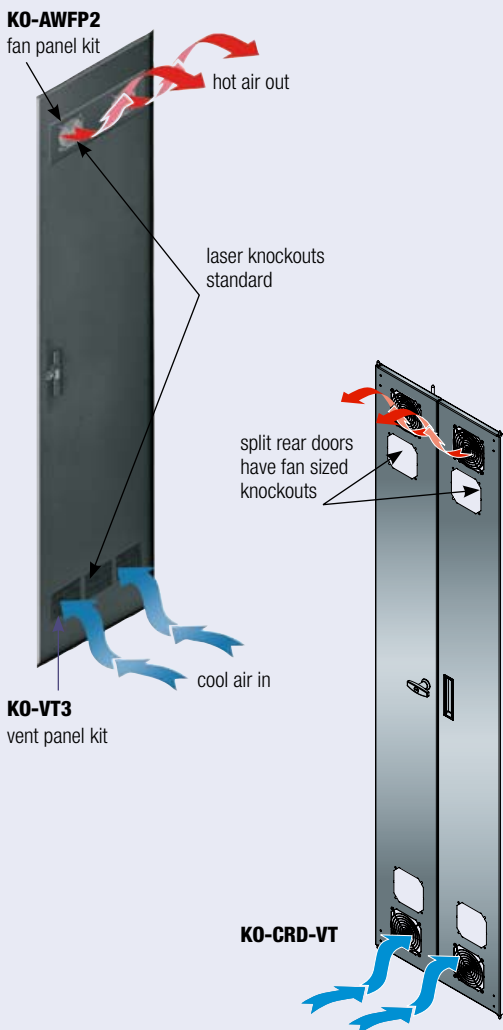
| Part # | Used On |
|------------|-----------------------|
| VBK-S32 | SR-xx-32, DWR-xx-32 |
| VBK-S42 | WR-xx-42* |
| VBK-V | VRK-44-31H/VRK-44-36H |
| VBK-DRK | DRK Series |
| VBK-PTRK | PTRK-xx |
| VBK-PTRK26 | PTRK-xx26 |
| VBK-BGR | BGR Series |
| VBK-BGR-SA | BGR-SA Series |

*When WR is not flush against a wall, block the rear opening with the optional rear access panel, model # WR-RAP-xx

BGR and EGR options are shown on rack series pgs.

Thermal Management Kits for Rear Door

Middle Atlantic Products standard solid rear doors on WRK, MRK and ERK Series (pg. 35) enclosures are configurable for achieving optimal active or passive thermal management. Fan, vent and filter kits are available to install after laser knockouts are removed from door. Fan and vent kits now available for solid split rear doors.



KO-AWFP2



KO-VT3



KO-FILTER3

| Fits WRK, MRK, ERK Standard Solid Rear Doors | |
|--|--------------------------------|
| Part # | Description |
| KO-AWFP2 | fan kit with two fans, 190 CFM |
| KO-VT3 | vent panel kit |
| KO-FILTER3 | filter kit |
| KO-WSB3 | blank panel kit |

| Fits Solid Split Rear Doors | |
|-----------------------------|--|
| Part # | Description |
| KO-CRD-FAN | fan kit with two fans, 190 CFM and two vents |
| KO-CRD-VT | filter kit |

