

## Locking Front Doors

Offered in lightly smoked plexi, 25% open area perf, 64% open area perf, plexi-vented and solid configurations. Beveled corners provide a stylish modern appearance while hinging either left or right. Black textured powder coat finish. Includes keylock.



Front Door Part # (Fits MRK, VRK, VMRK, WRK, ERK, DWR, SR Series)

Solid	Plexi	25% Open Area Perf	64% Open Area Perf	Plexi Vented	# of Rackspace
FD-54	PFD-54	VFD-54	-	-	54
FD-46	PFD-46	VFD-46	LVFD-46	-	46
FD-45	PFD-45	VFD-45	LVFD-45	-	45
FD-44	PFD-44	VFD-44	LVFD-44	PVFD-44	44
FD-42	PFD-42	VFD-42	LVFD-42	-	42
FD-40	PFD-40	VFD-40	LVFD-40	-	40
FD-37	PFD-37	VFD-37	LVFD-37	-	37
FD-35	PFD-35	VFD-35	LVFD-35	-	35
FD-27	PFD-27	VFD-27	-	-	27
FD-24	PFD-24	VFD-24	LVFD-24	-	24
FD-21	PFD-21	VFD-21	LVFD-21	-	21
FD-18	PFD-18	VFD-18	LVFD-18	-	18
FD-16	PFD-16	VFD-16	LVFD-16	-	16
FD-12	PFD-12	VFD-12	LVFD-12	-	12
FD-10	PFD-10	VFD-10	LVFD-10	-	10
FD-8	PFD-8	VFD-8	-	-	8



DVFD-44

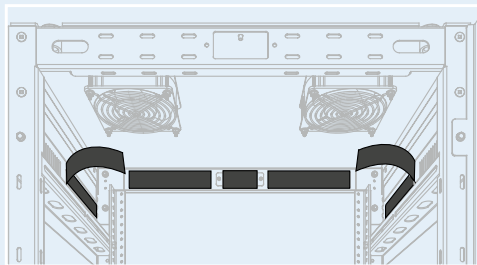
DPVFD-44

Front Door Part # (Fits DRK Series)

25% Open Area	Plexi	Plexi Vented	# of Rackspace
DVFD-44	DPFD-44	DPVFD-44	44

## Vent Blockers

VBK Series Vent Blockers are used to promote active thermal management. Designed to prevent the re-circulation of hot air between top-mount fans and nearby vent openings, Vent Blockers should be placed over the enclosure's vents located on the upper front of the enclosure, upper sides, and upper rear door (depending on enclosure). This will ensure that heated enclosure air will be forced out through the top-mounted exhaust fans instead of re-circulating, keeping equipment cool.



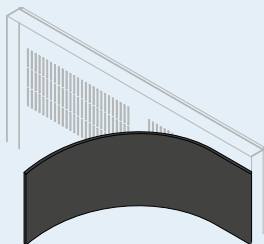
vent blockers magnetized on one side only to eliminate stray magnetic fields

Part #	Used On	Part #	Used On
VBK-W27-W32	WRK-xx27 & WRK-xx-32	VBK-SD22	SR-40-22, DWR-xx-22
VBK-WSA27	WRK-xxSA-27	VBK-S28	SR-xx-28
VBK-WSA32	WRK-xxSA-32, WR-xx-32*	VBK-S32	SR-xx-32, DWR-xx-32
VBK-E20	ERK-xx20, DWR-xx-26	VBK-S42	WR-xx-42*
VBK-E25	ERK-xx25	VBK-V	VRK Series
VBK-SCRK27	SCRK Series	VBK-DRK	DRK Series
VBK-D17	DWR-xx-17		

\* When WR is not flush against a wall, block the rear opening with the optional rear access panel, model #WR-RAP-xx

BGR and EGR options are shown on rack series pgs.

Vent Blockers mount to the inside of enclosures to direct airflow





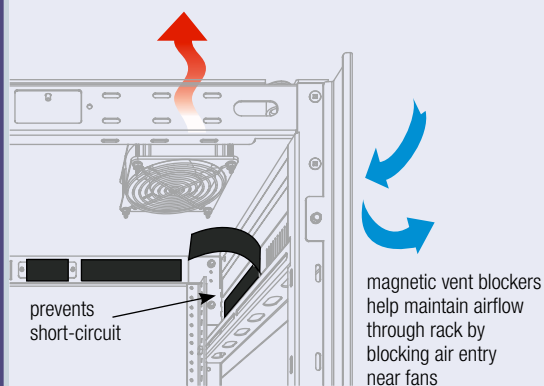
# Vent Blockers and Rear Door Kits

Vent Blockers and Rear Door Kits

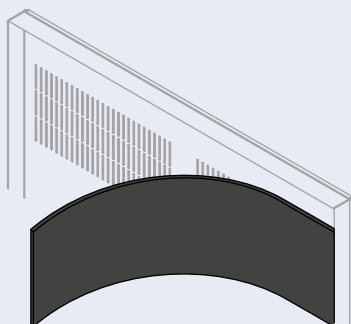
## Vent Blockers

Vent blockers are used to prevent the recirculation of hot air between top-mount fans and nearby vent openings. Vent blockers should be placed over the enclosure's vents located on the upper front of the enclosure, upper sides, and upper rear door (depending on enclosure).

This will ensure that heated enclosure air will be forced out through the top-mounted exhaust fans instead of re-circulating, keeping equipment cool.



**Vent Blockers** mount to the inside of enclosures to block airflow



Part #	Used On
VBK-W27-W32	WRK-xx27 & WRK-xx-32
VBK-WSA27	WRK-xxSA-27
VBK-WSA32	WRK-xxSA-32, WR-xx-32*
VBK-E20	ERK-xx20, DWR-xx-26
VBK-E25	ERK-xx25
VBK-SCRK27	SCRK Series
VBK-D17	DWR-xx-17
VBK-SD-22	SR-40-22, DWR-xx-22
VBK-S28	SR-xx-28

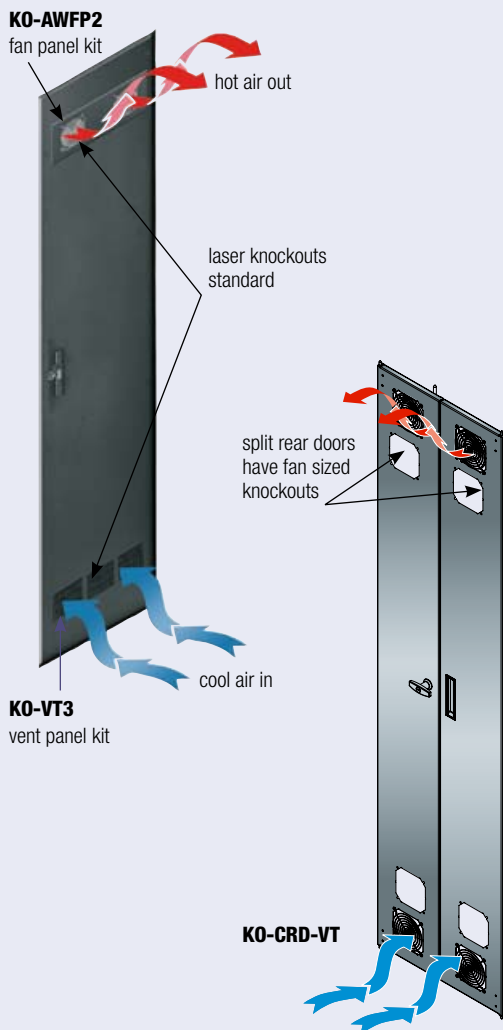
Part #	Used On
VBK-S32	SR-xx-32, DWR-xx-32
VBK-S42	WR-xx-42*
VBK-V	VRK-44-31H/VRK-44-36H
VBK-DRK	DRK Series
VBK-PTRK	PTRK-xx
VBK-PTRK26	PTRK-xx26
VBK-BGR	BGR Series
VBK-BGR-SA	BGR-SA Series

\*When WR is not flush against a wall, block the rear opening with the optional rear access panel, model # WR-RAP-xx

BGR and EGR options are shown on rack series pgs.

## Thermal Management Kits for Rear Door

Middle Atlantic Products standard solid rear doors on WRK, MRK and ERK Series (pg. 35) enclosures are configurable for achieving optimal active or passive thermal management. Fan, vent and filter kits are available to install after laser knockouts are removed from door. Fan and vent kits now available for solid split rear doors.



**KO-AWFP2**



**KO-VT3**



**KO-FILTER3**

Fits WRK, MRK, ERK Standard Solid Rear Doors	
Part #	Description
KO-AWFP2	fan kit with two fans, 190 CFM
KO-VT3	vent panel kit
KO-FILTER3	filter kit
KO-WSB3	blank panel kit

Fits Solid Split Rear Doors	
Part #	Description
KO-CRD-FAN	fan kit with two fans, 190 CFM and two vents
KO-CRD-VT	filter kit

