

Locking Front Doors

Offered in lightly smoked plexi, 25% open area perf, 64% open area perf, plexi-vented and solid configurations. Beveled corners provide a stylish modern appearance while hinging either left or right. Black textured powder coat finish. Includes keylock.



| Front Door Part # (Fits MRK, VRK, VMRK, WRK, ERK, DWR, SR Series) | | | | | |
|---|--------|--------------------|--------------------|--------------|----------------|
| Solid | Plexi | 25% Open Area Perf | 64% Open Area Perf | Plexi Vented | # of Rackspace |
| FD-54 | PFD-54 | VFD-54 | - | - | 54 |
| FD-46 | PFD-46 | VFD-46 | LVFD-46 | - | 46 |
| FD-45 | PFD-45 | VFD-45 | LVFD-45 | - | 45 |
| FD-44 | PFD-44 | VFD-44 | LVFD-44 | PVFD-44 | 44 |
| FD-42 | PFD-42 | VFD-42 | LVFD-42 | - | 42 |
| FD-40 | PFD-40 | VFD-40 | LVFD-40 | - | 40 |
| FD-37 | PFD-37 | VFD-37 | LVFD-37 | - | 37 |
| FD-35 | PFD-35 | VFD-35 | LVFD-35 | - | 35 |
| FD-27 | PFD-27 | VFD-27 | - | - | 27 |
| FD-24 | PFD-24 | VFD-24 | LVFD-24 | - | 24 |
| FD-21 | PFD-21 | VFD-21 | LVFD-21 | - | 21 |
| FD-18 | PFD-18 | VFD-18 | LVFD-18 | - | 18 |
| FD-16 | PFD-16 | VFD-16 | LVFD-16 | - | 16 |
| FD-12 | PFD-12 | VFD-12 | LVFD-12 | - | 12 |
| FD-10 | PFD-10 | VFD-10 | LVFD-10 | - | 10 |
| FD-8 | PFD-8 | VFD-8 | - | - | 8 |



DVFD-44



DPVFD-44

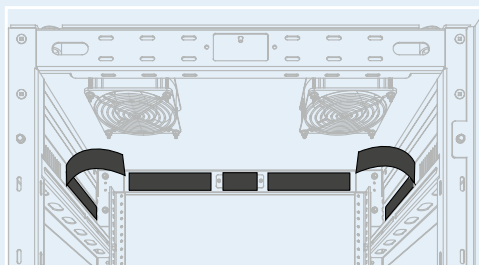
| Front Door Part # (Fits DRK Series) | | | |
|-------------------------------------|---------|--------------|----------------|
| 25% Open Area | Plexi | Plexi Vented | # of Rackspace |
| DVFD-44 | DPFD-44 | DPVFD-44 | 44 |

Vent Blockers

VBK Series Vent Blockers are used to promote active thermal management. Designed to prevent the re-circulation of hot air between top-mount fans and nearby vent openings, Vent Blockers should be placed over the enclosure's vents located on the upper front of the enclosure, upper sides, and upper rear door (depending on enclosure). This will ensure that heated enclosure air will be forced out through the top-mounted exhaust fans instead of re-circulating, keeping equipment cool.

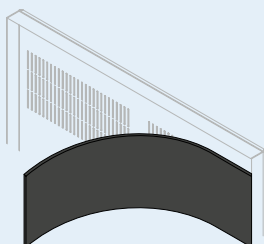
| Part # | Used On | Part # | Used On |
|-------------|------------------------|----------|---------------------|
| VBK-W27-W32 | WRK-xx27 & WRK-xx-32 | VBK-SD22 | SR-40-22, DWR-xx-22 |
| VBK-WSA27 | WRK-xxSA-27 | VBK-S28 | SR-xx-28 |
| VBK-WSA32 | WRK-xxSA-32, WR-xx-32* | VBK-S32 | SR-xx-32, DWR-xx-32 |
| VBK-E20 | ERK-xx20, DWR-xx-26 | VBK-S42 | WR-xx-42* |
| VBK-E25 | ERK-xx25 | VBK-V | VRK Series |
| VBK-SCRK27 | SCRK Series | VBK-DRK | DRK Series |
| VBK-D17 | DWR-xx-17 | | |

* When WR is not flush against a wall, block the rear opening with the optional rear access panel, model #WR-RAP-xx



vent blockers magnetized on one side only to eliminate stray magnetic fields

Vent Blockers mount to the inside of enclosures to direct airflow



BGR and EGR options are shown on rack series pgs.





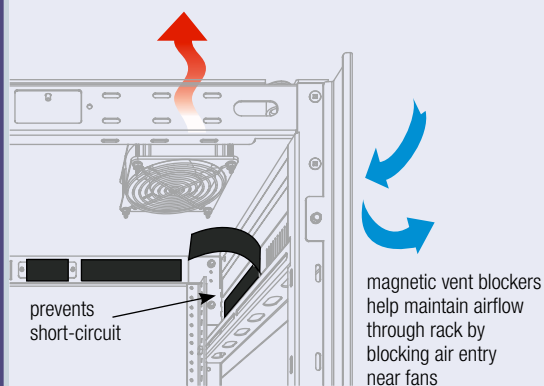
Vent Blockers and Rear Door Kits

Vent Blockers and Rear Door Kits

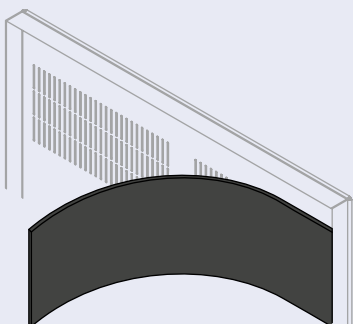
Vent Blockers

Vent blockers are used to prevent the recirculation of hot air between top-mount fans and nearby vent openings. Vent blockers should be placed over the enclosure's vents located on the upper front of the enclosure, upper sides, and upper rear door (depending on enclosure).

This will ensure that heated enclosure air will be forced out through the top-mounted exhaust fans instead of re-circulating, keeping equipment cool.



Vent Blockers mount to the inside of enclosures to block airflow



| Part # | Used On |
|-------------|------------------------|
| VBK-W27-W32 | WRK-xx27 & WRK-xx-32 |
| VBK-WSA27 | WRK-xxSA-27 |
| VBK-WSA32 | WRK-xxSA-32, WR-xx-32* |
| VBK-E20 | ERK-xx20, DWR-xx-26 |
| VBK-E25 | ERK-xx25 |
| VBK-SCRK27 | SCRK Series |
| VBK-D17 | DWR-xx-17 |
| VBK-SD-22 | SR-40-22, DWR-xx-22 |
| VBK-S28 | SR-xx-28 |

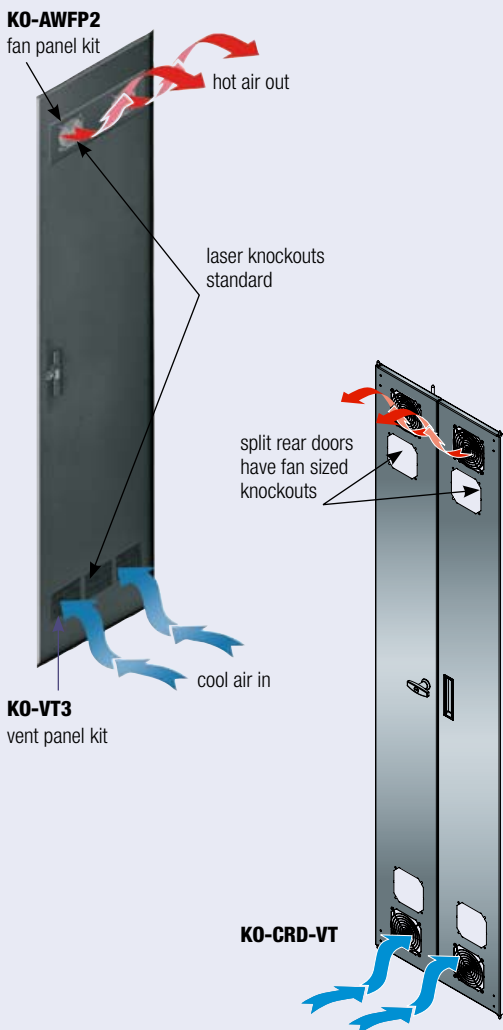
| Part # | Used On |
|------------|-----------------------|
| VBK-S32 | SR-xx-32, DWR-xx-32 |
| VBK-S42 | WR-xx-42* |
| VBK-V | VRK-44-31H/VRK-44-36H |
| VBK-DRK | DRK Series |
| VBK-PTRK | PTRK-xx |
| VBK-PTRK26 | PTRK-xx26 |
| VBK-BGR | BGR Series |
| VBK-BGR-SA | BGR-SA Series |

*When WR is not flush against a wall, block the rear opening with the optional rear access panel, model # WR-RAP-xx

BGR and EGR options are shown on rack series pgs.

Thermal Management Kits for Rear Door

Middle Atlantic Products standard solid rear doors on WRK, MRK and ERK Series (pg. 35) enclosures are configurable for achieving optimal active or passive thermal management. Fan, vent and filter kits are available to install after laser knockouts are removed from door. Fan and vent kits now available for solid split rear doors.



KO-AWFP2



KO-VT3



KO-FILTER3

| Fits WRK, MRK, ERK Standard Solid Rear Doors | |
|--|--------------------------------|
| Part # | Description |
| KO-AWFP2 | fan kit with two fans, 190 CFM |
| KO-VT3 | vent panel kit |
| KO-FILTER3 | filter kit |
| KO-WSB3 | blank panel kit |

| Fits Solid Split Rear Doors | |
|-----------------------------|--|
| Part # | Description |
| KO-CRD-FAN | fan kit with two fans, 190 CFM and two vents |
| KO-CRD-VT | filter kit |

