

# ViewPoint™ Series

## monitoring console system

flexible, scalable system has been designed for optimum operator effectiveness

### features:

- Fully welded bays provide a heavy-duty structure that can be assembled quickly
- Available with an 18" deep work surface or 34" desktop
- A large variety of standard finishes available
- Most configurations ship in 3 weeks or less
- Custom finishes and work surfaces available upon request
- UL Listed in the US and Canada
- GREENGUARD IAQ certified
- LCD monitors can be mounted using optional monitor arms



### specifications:

ViewPoint™ Series monitoring console system shall be Middle Atlantic Products model # VC-\_\_\_\_\_. Overall dimensions of the console bays shall be \_\_"W x 30"H x 19"D. Console system shall feature welded steel bays of Uni-Frame™ construction and extensible design that provides optimal structural integrity, and unrestricted cable management and access. Console system shall have exterior support foot placement that provides support and unimpeded chair/operator movement. Work surface/ Desktop shall have cantilevered supports that provide unimpeded leg movement. Each 24" width bay shall accept rackrail or a slide-out CPU tray. Each 24" bay shall have a 250 lb. weight capacity. Shall include 2 horizontal, segregated raceways in each bay and wedge, configurable for upper or lower bay installation. Shall include a minimum of one 15 amp duplex per 24" bay (work surface only). Work surfaces shall have a 3 position height selection. ViewPoint shall be available with an 18" deep work surface or 34" deep desktop (visit middleatlantic.com for available RTF thermolaminate finishes) and constructed of 1-1/8" thick triple-refined MDF. Connecting wedges shall be available with 15°, 22°, 30°, 45° and 90° (forward) and 15°, 22°, and 30° (reverse) angles. Extender bays shall be available to provide a total of 33" or 39" of useable depth. Bays shall be constructed of 11 and 14 gauge steel and finished in a fingerprint resistant black textured powder coat. ViewPoint shall have 3" and 4" cable pass-throughs trimmed with plastic bushings to create a smooth internal surface. ViewPoint shall include all tools needed for the assembly of the console. Grounding and bonding stud shall be 1/4-20 threaded, installed in base of the bay, 2 per bay. ViewPoint shall satisfy the 2007 & 2010 CBC; 2006, 2009 & 2012 IBC; ASCE 7-05 (2005 Edition) & ASCE 7-10 (2010 Edition) and the 2006 & 2009 editions of NFPA 5000 for use in areas of high seismicity, Seismic Use Group III, Zone 4 or Seismic Design Category (SDC) "D" with lateral force requirements for protecting 320 lbs. per 24" section of essential equipment in locations with the highest level of seismicity and top floor or rooftop installations with an Importance factor (Ip) of 1.5. ViewPoint system shall meet ANSI-BIFMA, BSR/HFES 100, and VESA guidelines and requirements. ViewPoint shall be UL Listed in the US and Canada. ViewPoint shall be GREENGUARD Gold Certified. ViewPoint enclosure shall be RoHS EU Directive 2002 / 95 / EC compliant. ViewPoint shall be manufactured by an ISO 9001 and ISO 14001 registered company. Steel components shall be warranted to be free from defects in material or workmanship under normal use and conditions for the lifetime of the product. Thermolaminate components shall be warranted to be free from defects in material or workmanship under normal use and conditions for a period of 7 years.

Customizable specification clips available at [middleatlantic.com](http://middleatlantic.com)

EIA/TIA COMPLIANT



PRODUCT CERTIFIED FOR  
LOW CHEMICAL EMISSIONS  
UL.COM/GG  
UL 2818

SEISMIC CERTIFIED



what **great systems** are built on.™

A Group brand | **legrand**

**Middle Atlantic Products**

[middleatlantic.com](http://middleatlantic.com) | [middleatlantic.com](http://middleatlantic.com)

96-01132 / rev e / 12-22-14

# ViewPoint™ Series

## monitoring console system

options

**Monitor Mounts** – shall be available to accommodate 1, 2, 3, or 4 monitors. Shall mount to the rear top of 12", 24", 36", 48" or 72" console bays. Shall tilt and pivot. Shall be hinged, articulating or counter-balanced. Shall be constructed of cast aluminum with steel fittings. Shall be VESA compliant. Shall have a weight capacity of, by model:

Part #	Weight Capacity Per Monitor	Total Weight Capacity
VC-MM1X1C	2-20 lbs.	2-20 lbs.
VC-MM2X1C	25 lbs.	50 lbs.
VC-MM1X2C	20 lbs.	40 lbs.
VC-MM2X2C	20 lbs.	80 lbs.
VC-MM3X1C	20 lbs.	60 lbs.

**Large Format Monitor Mount** – shall accommodate monitors with a 32" to 41" screen size (model # VC-MM32X41) and 42" to 63" screen size (model # VC-MM42X63) and mount to the rear top of the console bay. Shall be VESA compliant.

**Rackrail** – 10 space rackrail shall be available for horizontal equipment mounting in the front/rear of any 24" section of a 24", 36", 48" or 72" bay and shall be part # VC-B24-RR10. 6 Space rackrail for vertical equipment mounting in the top of any 24" section of a 24", 36", 48" or 72" bay, for use with work surface only, and shall be part # VC-TRK. Rackrail shall conform to EIA standards. Rackrail shall be constructed of 11-gauge steel. Shall be infinitely adjustable front-to-rear.

**CPU Tray** – Slide-out CPU tray shall mount in any 24" section of a 24", 36", 48" or 72" bay, and shall configure to slide out of the front or rear. Slide-out CPU tray shall have useable dimensions of 19"W x 14.25"D, extend 13" and have a weight capacity of 75 lbs. Slide out CPU tray shall be part # VC-2419ST.

**Extender Bay** - Extender Bay shall mount to the front of any 24" section of a 24", 36", 48" or 72" bay. Extender bay shall have 12 space front rackrail and 10 space rear rackrail. Extender bays shall be available in the following depths and configurations:

Part #	Door type	Useable Depth	Total Useable Depth
VC-2418X-PD	Plexiglass	18"	33"
VC-2418X-VD	Vented	18"	33"
VC-2424X-PD	Plexiglass	24"	39"
VC-2424X-VD	Vented	24"	39"

**Rear fan door** – Rear fan door shall replace standard rear console door on any 24" wide bay. Rear fan door shall provide 100 CFM of air extraction, generate less than 27 db, and be thermostatically switched. Part# shall be VC-B24-FD.

**Bookshelf** – Bookshelf shall be available to mount in front of any 24" bay, on the end of a storage cabinet or peninsula, part # VC-B24 or to the end of any row of consoles in place of side panel, part # VC-B34.

**Storage Cabinet** – Storage cabinet shall be constructed of constructed of 1" thick high pressure laminate on particle core. Dimensions shall be 23-1/2"W X 36"D. Storage cabinet shall have positionable glass doors and rear covers. Storage cabinet shall mounts to the front of any 24" section of a 24", 36", 48" or 72" bay and have a matching surface. Storage cabinet part # shall be VC-3624-GD.

**Peninsula** – Peninsula shall be constructed of 1-1/8" thick triple-refined MDF. With an Impact resistant to RTF thermolaminate finish. Peninsula dimensions shall be 24"W x 36"D. Peninsula shall mount to the front of any 24" section of a 24", 36", 48" or 72" bay. Peninsula shall be part # VC-PEN-3624.

**Side Panels** – Side panels shall be available in 3 styles, and be constructed of 1" thick triple-refined MDF. Side panels shall consist of a left and right side and mount to any 12", 24", 36", 48" or 72" bay.

**File Cabinet** – File cabinet shall have 2 drawers and be constructed of 16" and 18 gauge steel. File cabinet dimensions shall be 18"D x 24-1/4" H. File cabinet shall fit underneath a peninsula, and have swivel casters for ease of movement. File cabinet shall be part # VC-FC-2.

**Articulating Task Light** – Articulating task light shall mount to the top rear of the console and be part # VC-LCM.

**Articulating Keyboard Shelf** – Articulating keyboard shelf shall mount underneath the work surface/desktop. Shelf shall slide underneath the work surface/desktop when not in use. Shelf shall be adjustable in height and have a useable area of 31" W x 10-1/2"D. Shelf shall be part # VC-KBS.

**Top Mount Turret Racks** – To mount turret racks shall be available with 4 or 9 rackspaces, have a minimum 8-1/2" useable depth, and work with consoles with an 18" deep work surface only. Top mount turret racks shall mount to any 24" section of a 24", 36", 48" or 72" bay.

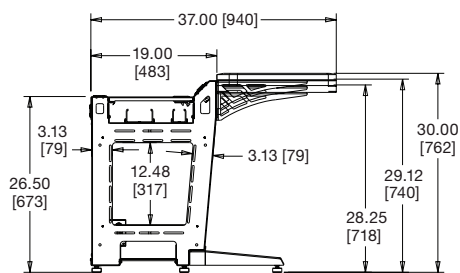
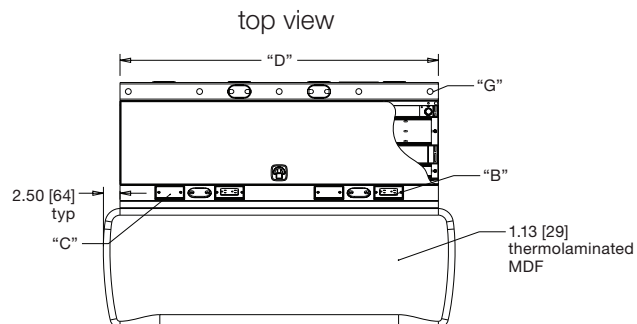
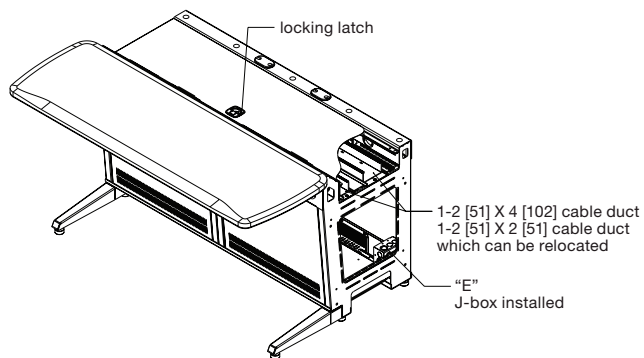
Part #	# of rackspaces	Mounts to
VC-TR2419-4	4	24", 48", 72" bay
VC-TR3619-4	4	36" bay
VC-TR2419-6	6	24", 48", 72" bay
VC-TR3619-6	6	36" bay
VC-TR2419-9	9	24", 48", 72" bay
VC-TR3619-9	9	36" bay

**Chair** – Fully adjustable, ergonomically designed professional use monitoring chair shall have a 15 year warranty, and shall be part # CHAIR-CF1-B.

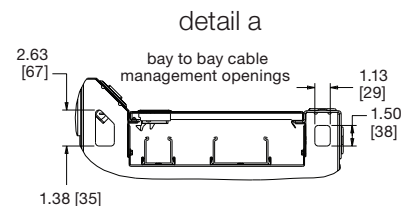
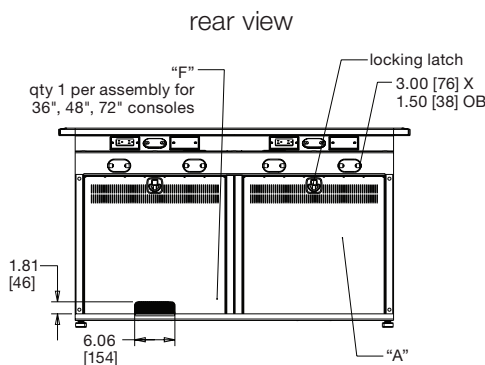
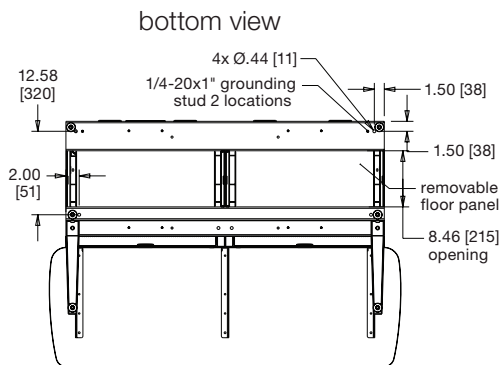
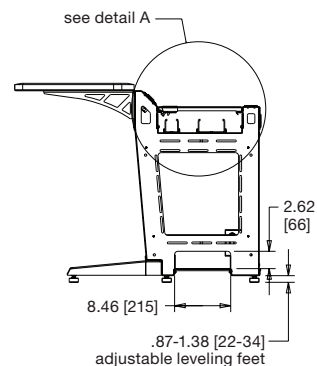
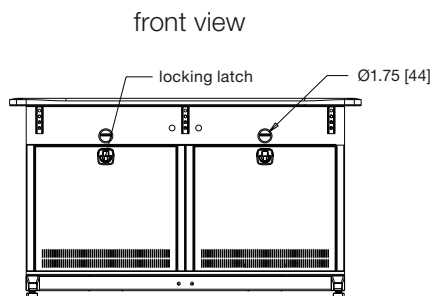
# ViewPoint™

## 18" work surface basic dimensions

all dimensions in inches unless otherwise noted [all dimensions in brackets are in millimeters]



leveling feet are installed to lowest position from factory



Part#	"A" Quantity of Doors	"B" Quantity of Receptacles	"C" Quantity of Low Voltage Provisions	"D" Width	"E" Grommet Doors	"F" J-Box	"G" Quantity Monitor Mount Locations
VC-619-WS18	N/A	N/A	N/A	6.00 [152]	no	no	N/A
VC-1219-WS18	2	N/A	N/A	12.00 [305]	no	no	1
VC-2419-WS18	2	1	1	24.00 [610]	no	no	3
VC-3619-WS18	4	2	2	36.00 [914]	yes	yes	5
VC-4819-WS18	4	2	2	48.00 [1219]	yes	yes	5
VC-7219-WS18	6	3	3	72.00 [1829]	yes	yes	7

what great systems are built on.™

A Group brand | **legrand**

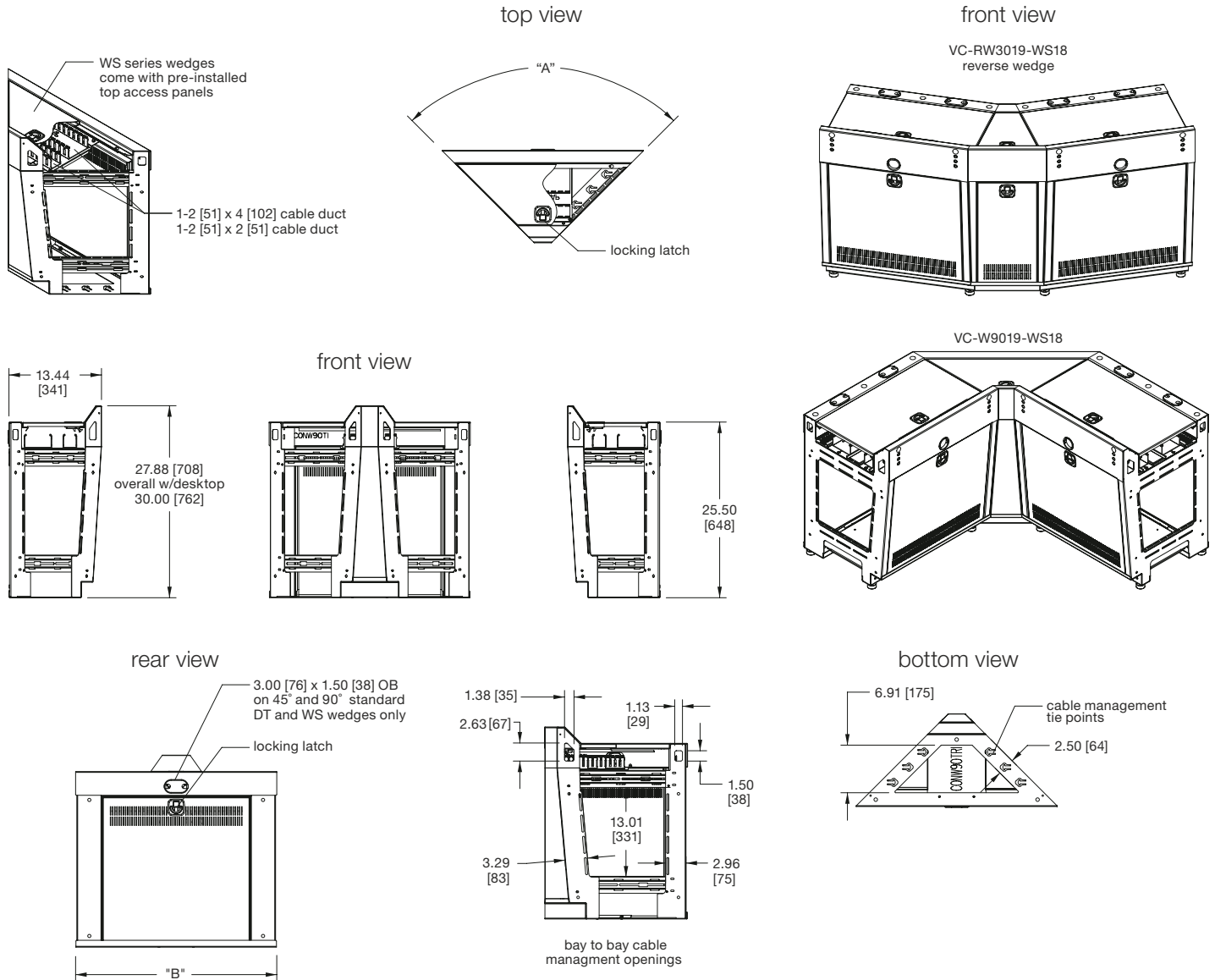
**Middle Atlantic Products**

middleatlantic.com | middleatlantic.ca

# ViewPoint™

## wedge 18" work surface basic dimensions

all dimensions in inches unless otherwise noted [all dimensions in brackets are in millimeters]



Part#	"A" Angle	"B" Width	Cable Ducts	Rear Door	Front Door
VC-W1519-WS18	15°	7.42 [188]	N/A	N/A	N/A
VC-W2219-WS18	22.5°	9.85 [250]	N/A	N/A	N/A
VC-W3019-WS18	30°	12.29 [312]	N/A	yes	N/A
VC-W4519-WS18	45°	16.98 [431]	yes	yes	N/A
VC-W9019-WS18	90°	29.21 [742]	yes	yes	N/A
VC-RW1519-WS18	-15°	2.53 [64]	N/A	N/A	N/A
VC-RW2219-WS18	-22.5°	2.54 [65]	N/A	N/A	N/A
VC-RW3019-WS18	-30°	2.55 [65]	N/A	N/A	yes

what great systems are built on.™

A Group brand | **legrand**

**Middle Atlantic Products**

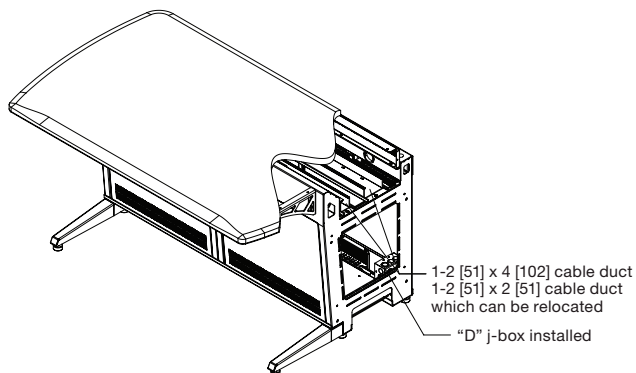
middleatlantic.com | middleatlantic.ca



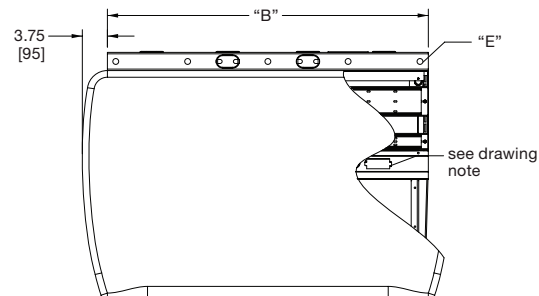
# ViewPoint™

## 34" desktop basic dimensions

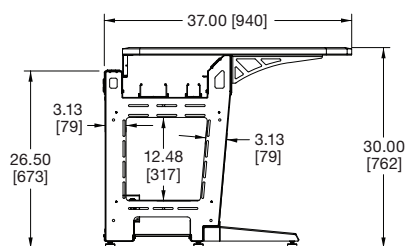
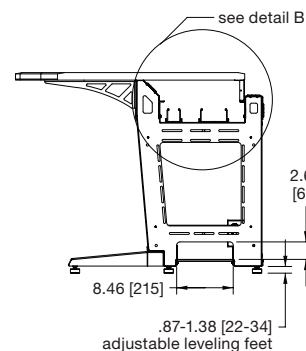
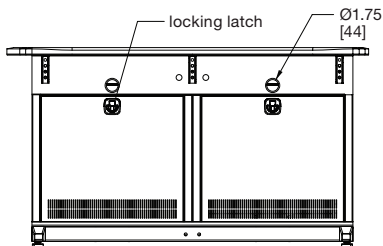
all dimensions in inches unless otherwise noted [all dimensions in brackets are in millimeters]



top view

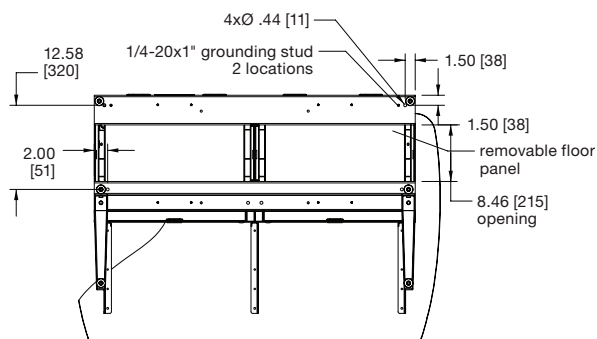


front view

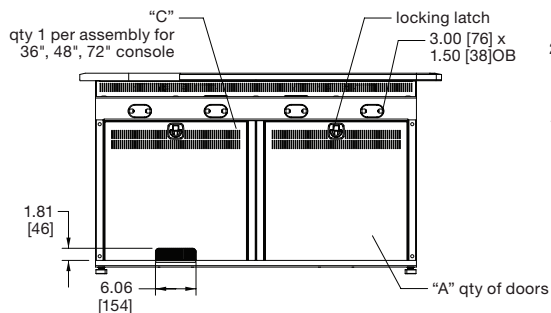


leveling feet are installed to lowest position from factory

bottom view

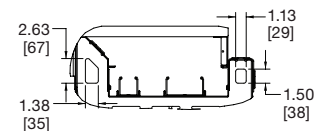


rear view



detail b

bay to bay cable management openings



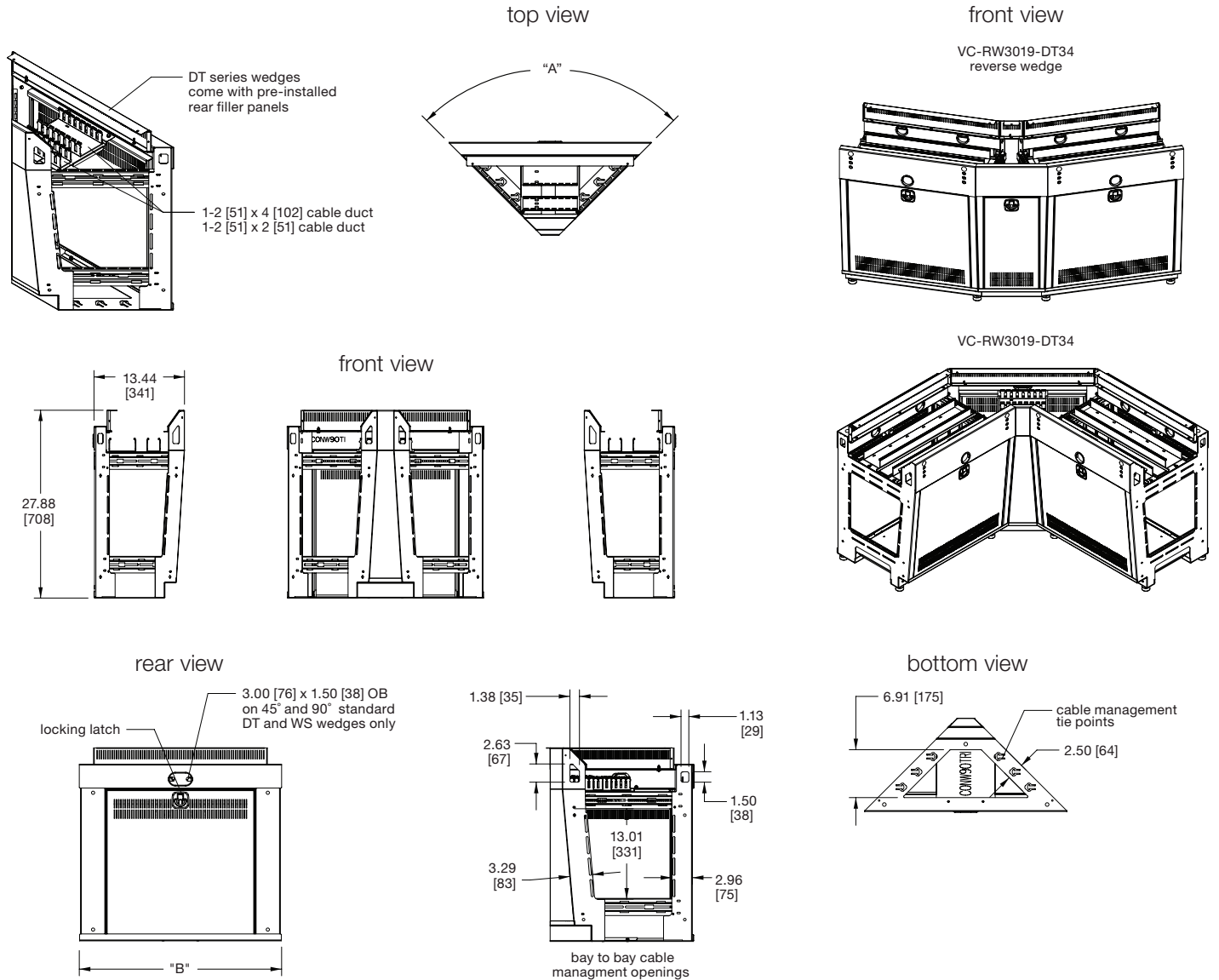
Part#	"A" Quantity of Doors	"B" Width	"C" Grommet Doors	"D" Grommet Doors	"E" Quantity Monitor Mount Locations
VC-619-DT34	N/A	6.00 [152]	no	no	N/A
VC-1219-DT34	2	12.00 [305]	no	no	1
VC-2419-DT34	2	24.00 [610]	no	no	3
VC-3619-DT34	4	36.00 [914]	yes	yes	5
VC-4819-DT34	4	48.00 [1219]	yes	yes	5
VC-7219-DT34	6	72.00 [1829]	yes	yes	7

what great systems are built on.™

# ViewPoint™

## wedge 34" work surface basic dimensions

all dimensions in inches unless otherwise noted [all dimensions in brackets are in millimeters]



Part#	"A" Angle	"B" Width	Cable Ducts	Rear Door	Front Door
VC-W1519-DT34	15°	7.42 [188]	N/A	N/A	N/A
VC-W2219-DT34	22.5°	9.85 [250]	N/A	N/A	N/A
VC-W3019-DT34	30°	12.29 [312]	N/A	yes	N/A
VC-W4519-DT34	45°	16.98 [421]	yes	yes	N/A
VC-W9019-DT34	90°	29.21 [742]	yes	yes	N/A
VC-RW1519-DT34	~15°	2.53 [64]	N/A	N/A	N/A
VC-RW2219-DT34	~22.5°	2.54 [65]	N/A	N/A	N/A
VC-RW3019-DT34	~30°	2.55 [65]	N/A	N/A	yes

what **great systems** are built on.™

A Group brand | **legrand**

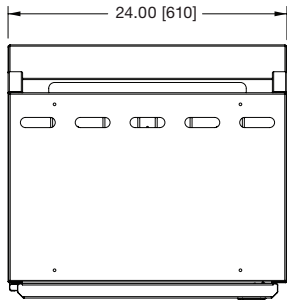
**Middle Atlantic Products**  
middleatlantic.com | middleatlantic.ca

# ViewPoint™

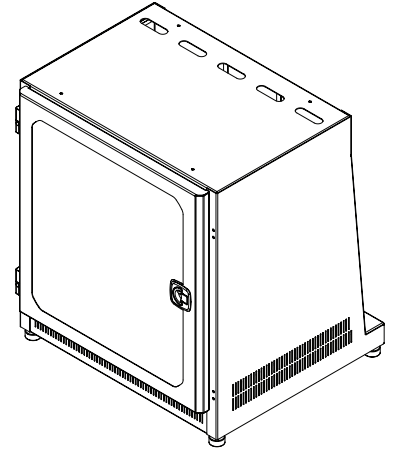
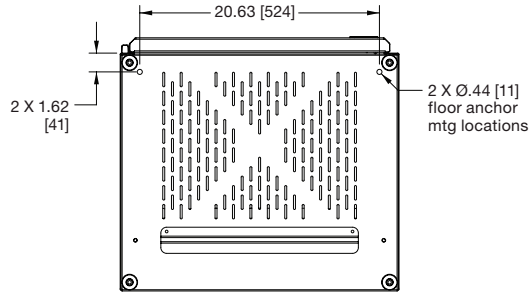
## extender bay basic dimensions

all dimensions in inches unless otherwise noted [all dimensions in brackets are in millimeters]

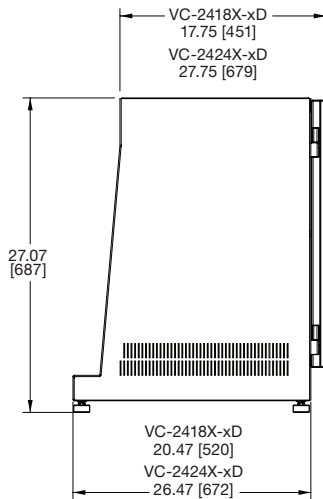
top view



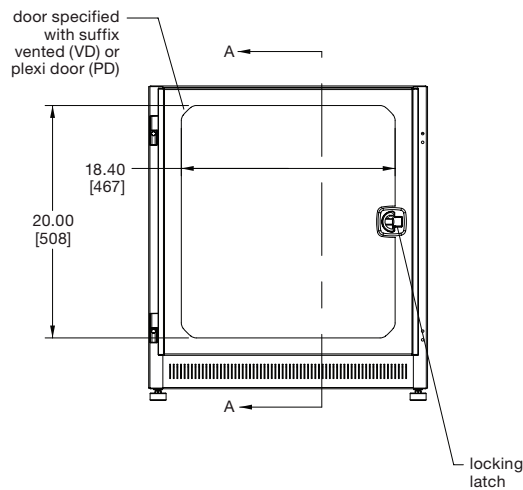
bottom view



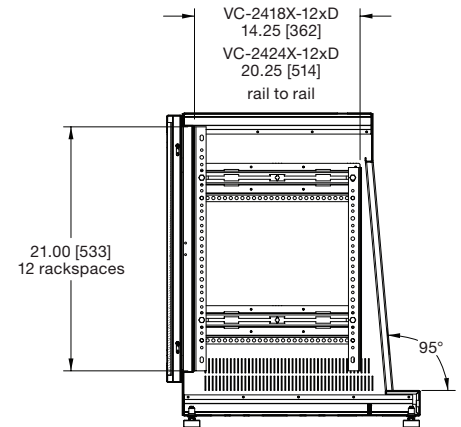
left side view



front view



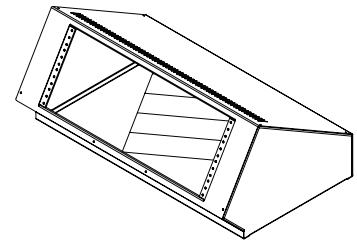
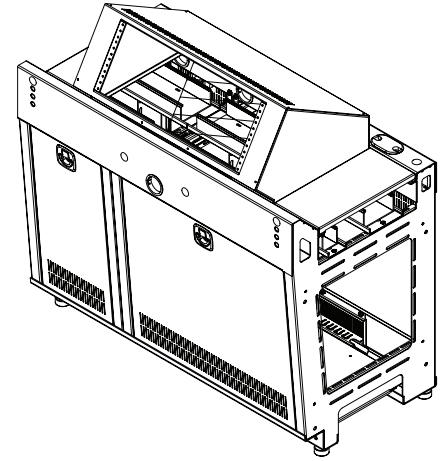
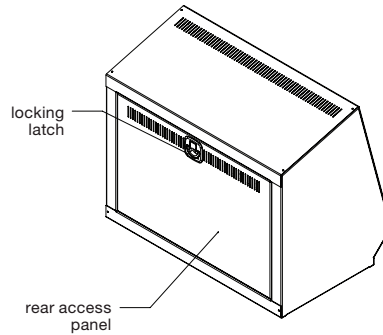
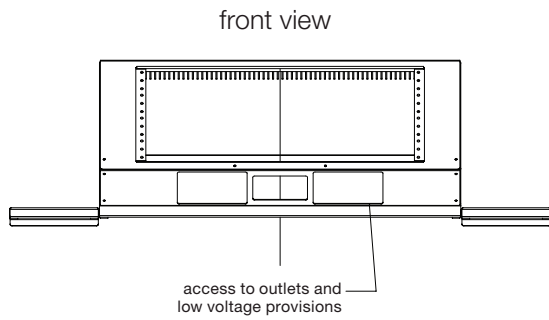
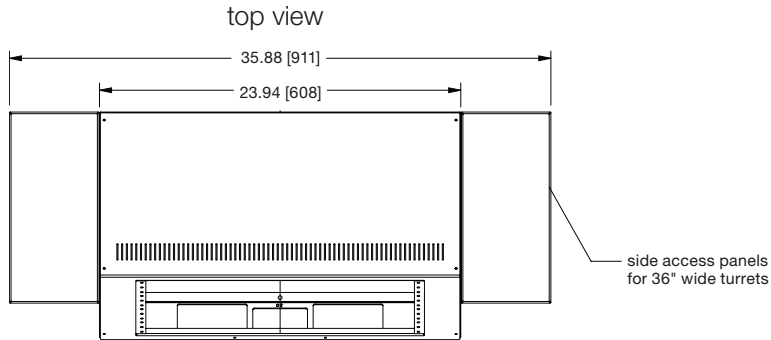
section a



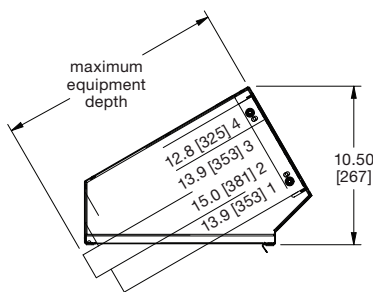
# ViewPoint™

## turret basic dimensions

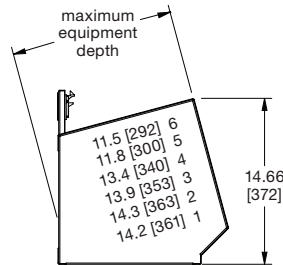
all dimensions in inches unless otherwise noted [all dimensions in brackets are in millimeters]



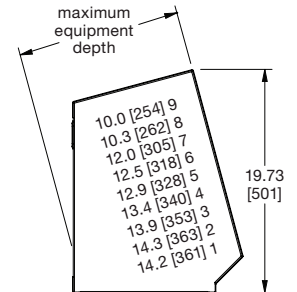
VC-TRXX19-4



VC-TRXX19-6



VC-TRXX19-9



Part#	Rack Units	Side Access Panels	Rear Access Panel
VC-TR2419-4	4	no	no
VC-TR3619-4	4	yes	no
VC-TR2419-6	6	no	yes
VC-TR3619-6	6	yes	yes
VC-TR2419-9	9	no	yes
VC-TR3619-9	9	yes	yes

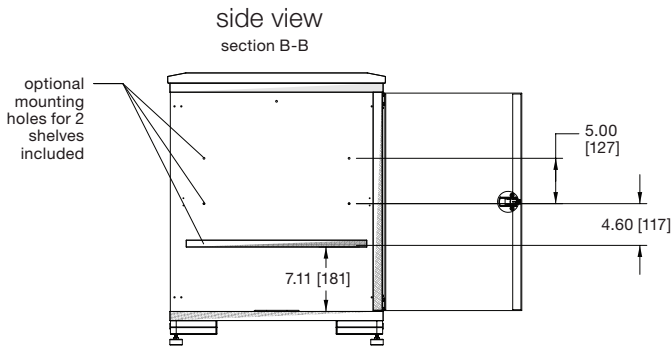
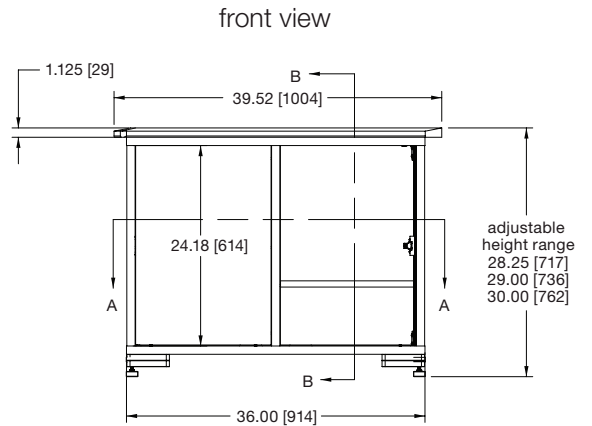
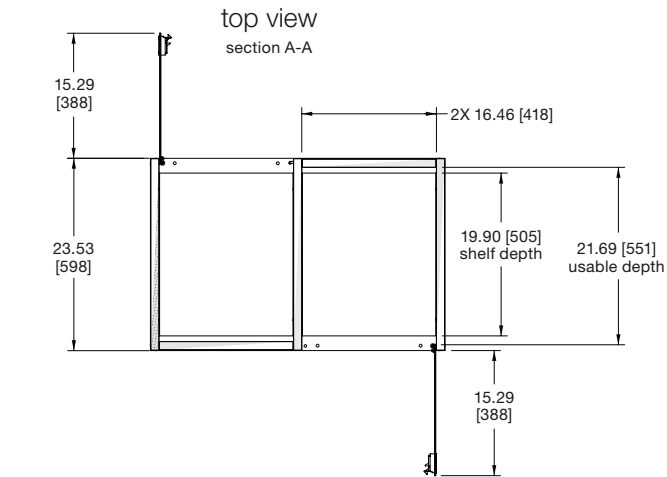
what great systems are built on.™

# ViewPoint™

## storage and file cabinet basic dimensions

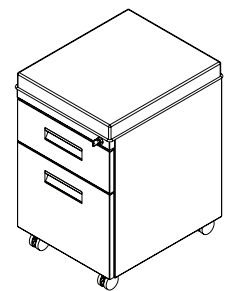
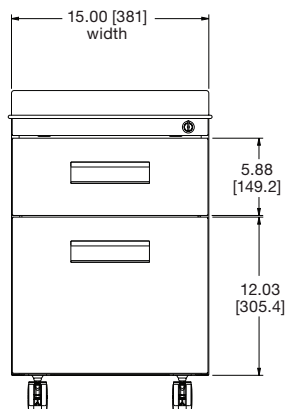
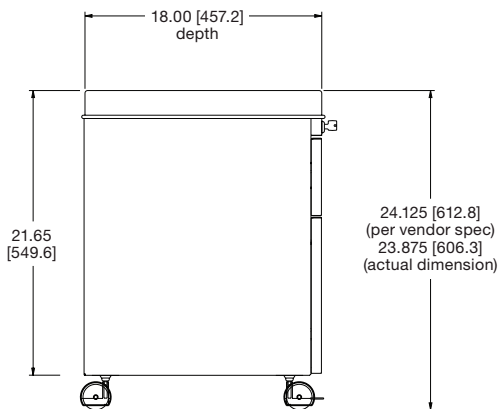
all dimensions in inches unless otherwise noted [all dimensions in brackets are in millimeters]

### storage cabinet



Notes:  
Includes 2 positionable glass doors and covers  
Cabinet adds 37.52 [953] in length when attached to console.  
Length of free-standing cabinet VC-C3624GDFS-XX is 39.00 [991]

### file cabinet



Notes:  
casters, keys, and tray also included.  
key code: "key all peds LL 226".

what great systems are built on.™

A Group brand | **legrand**

**Middle Atlantic Products**

middleatlantic.com | middleatlantic.ca

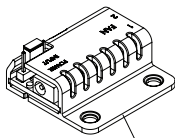
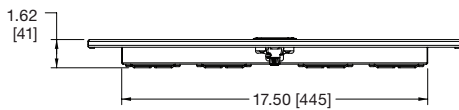
# ViewPoint™

## rear fan door and top rail kit basic dimensions

all dimensions in inches unless otherwise noted [all dimensions in brackets are in millimeters]

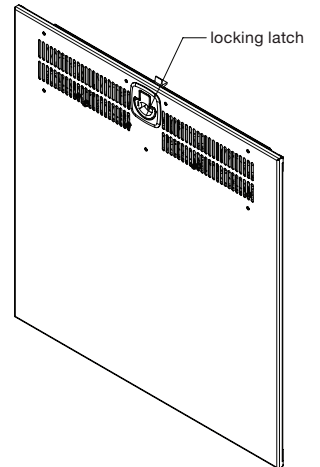
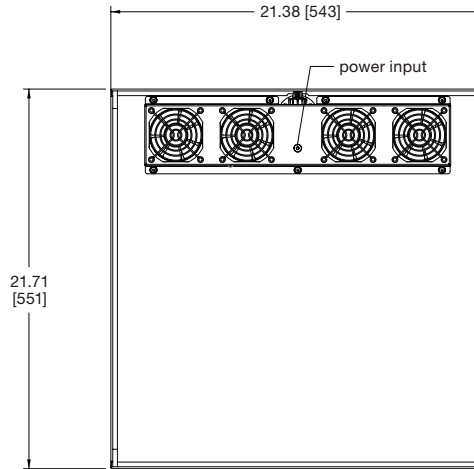
### rear fan door

top view



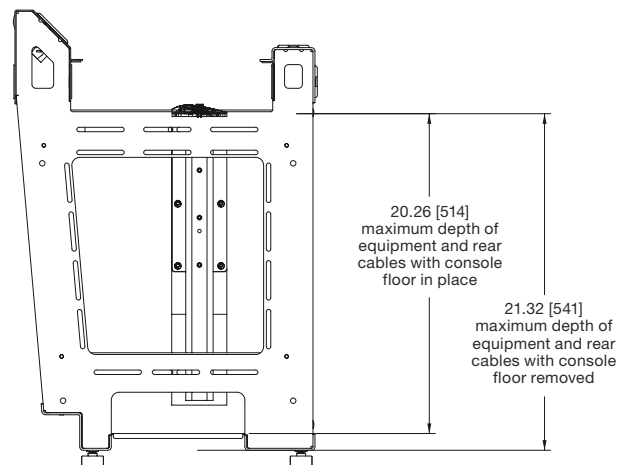
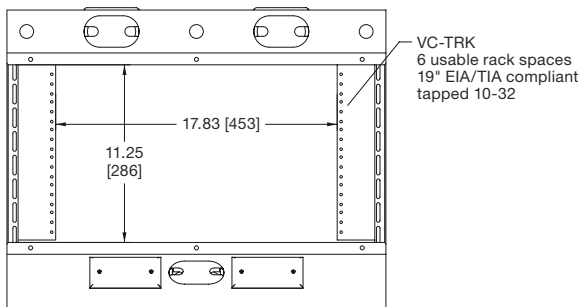
inline fan controller also supplied to be mounted in highest position available on sidewall in console or bay.

rear view



Notes:  
 Rear fan door specifications:  
 Fan Quantity: 4  
 Airflow: 100 CFM  
 Noise at full speed: 27 dB  
 Current draw: 0.6A @ 12VDC

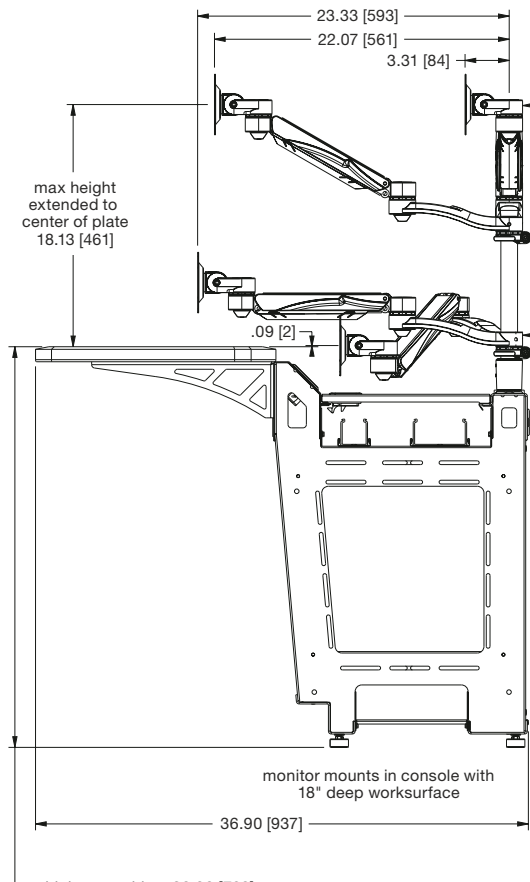
### top rail kit



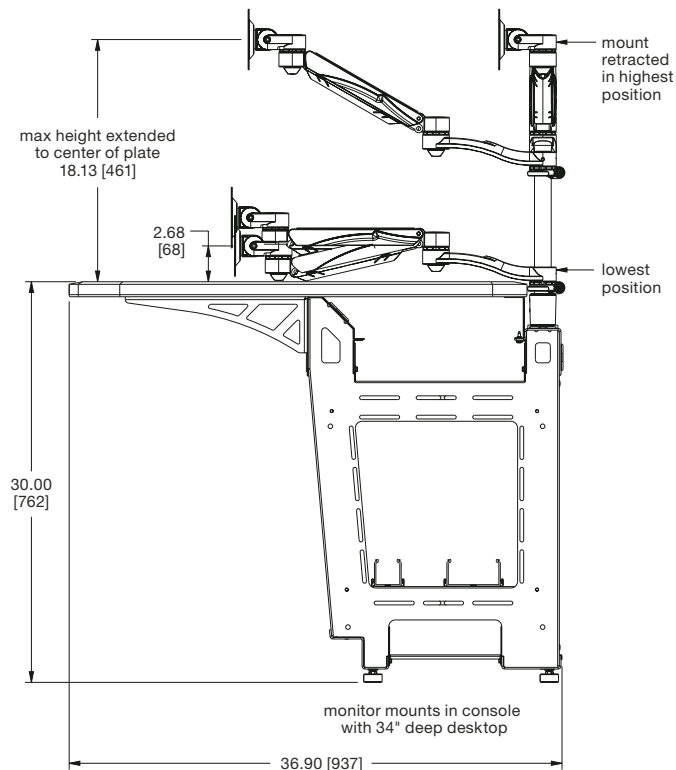
# ViewPoint™

## single monitor mount basic dimensions

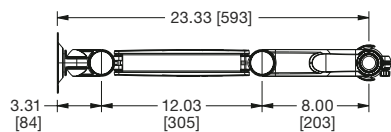
all dimensions in inches unless otherwise noted [all dimensions in brackets are in millimeters]



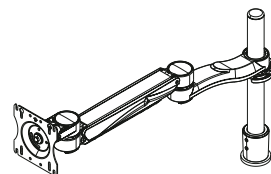
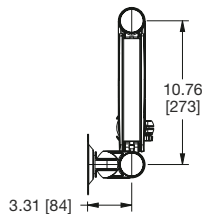
highest position: 30.00 [762]  
middle position: 29.12 [740]  
lowest position: 28.25 [718]



top view  
horizontal range



top view  
arm retracted



Notes:

1. Horizontal Range: 23.3"
2. Pole Height: 12"
3. Rotation: 360 degrees at three joints
4. Monitor Tilt: 185 degrees
5. Monitor Pivot: landscape to portrait
6. Monitor Capability: VESA 75MM and 100MM
7. Cable Management: under arm
8. Monitor Weight: 2-20 lbs.

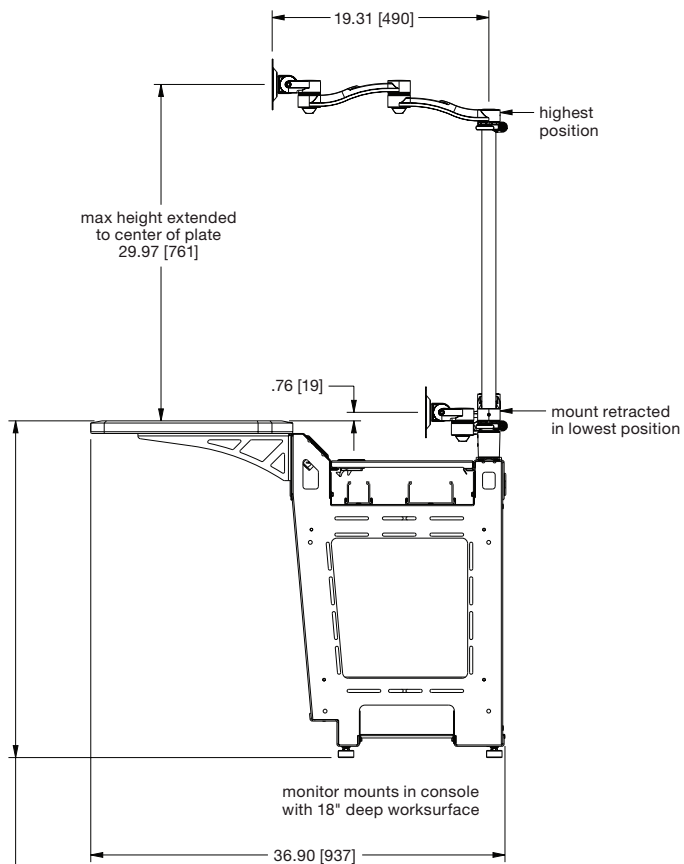
what great systems are built on.™



# ViewPoint™

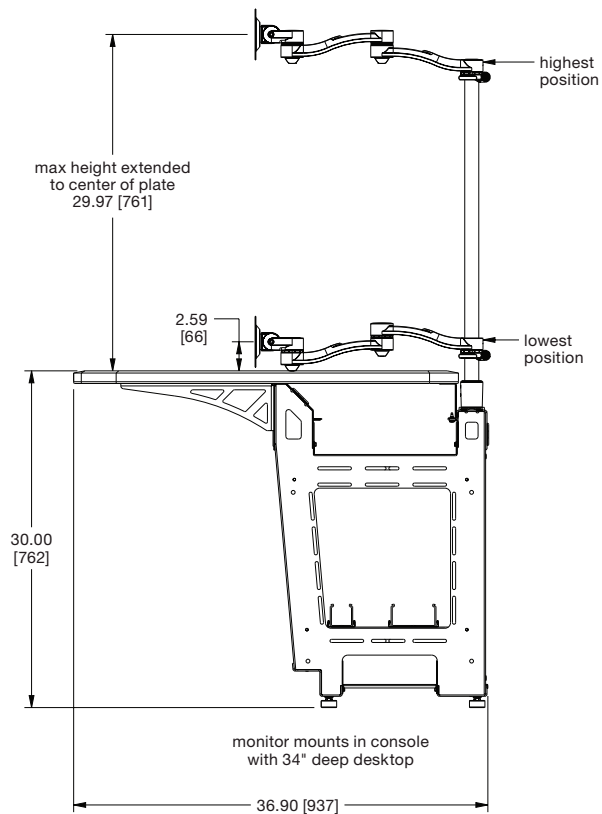
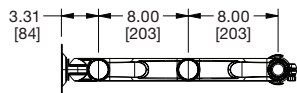
## dual vertical monitor mount basic dimensions

all dimensions in inches unless otherwise noted [all dimensions in brackets are in millimeters]

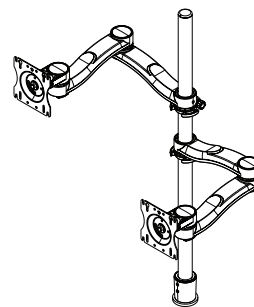
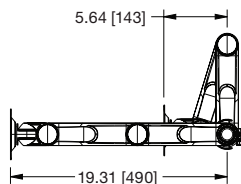


highest position: 30.00 [762]  
middle position: 29.12 [740]  
lowest position: 28.25 [718]

top view  
horizontal range




top view  
arm retracted



### Notes:

1. Horizontal Range: 19.3"
2. Pole Height: 30"
3. Rotation: 360 degrees at six joints
4. Monitor Tilt: 185 degrees
5. Monitor Pivot: landscape to portrait
6. Monitor Capability: VESA 75MM and 100MM
7. Cable Management: under arm
8. Monitor Weight: up to 20 lbs. per monitor
9. Monitor Size: two (36" max) screens

what great systems are built on.™

A Group brand |  Legrand

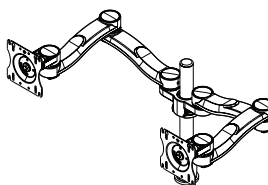
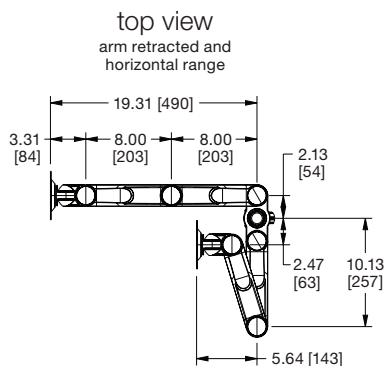
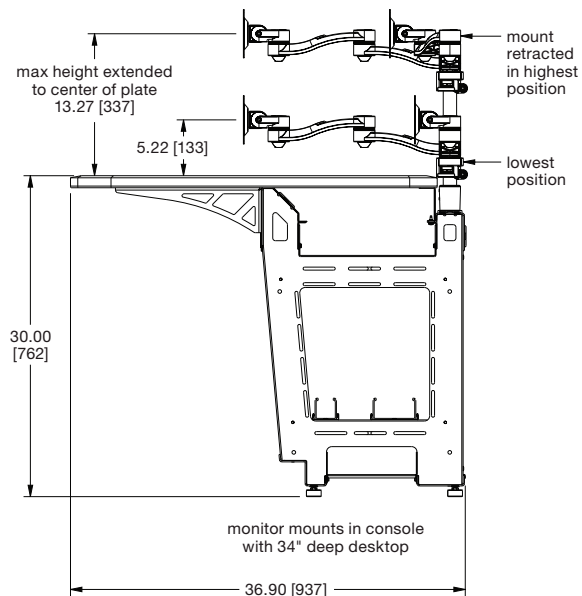
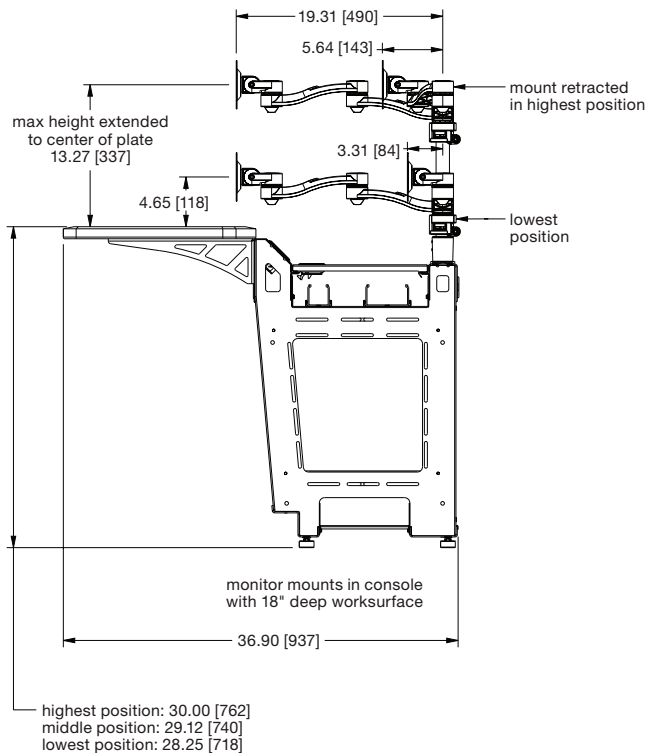
 Middle Atlantic Products

[middleatlantic.com](http://middleatlantic.com) | [middleatlantic.ca](http://middleatlantic.ca)

# ViewPoint™

## dual horizontal monitor mount basic dimensions

all dimensions in inches unless otherwise noted [all dimensions in brackets are in millimeters]



### Notes:

1. Horizontal Range: 19.3" per arm
2. Pole Height: 12"
3. Rotation: 360 degrees at six joints
4. Monitor Tilt: 185 degrees
5. Monitor Pivot: landscape to portrait
6. Monitor Capability: VESA 75MM and 100MM
7. Cable Management: under arm
8. Monitor Weight: up to 20 lbs. per monitor
9. Monitor Size: two (36" max) screens

what great systems are built on.™

A Group brand | **legrand**

**MA**

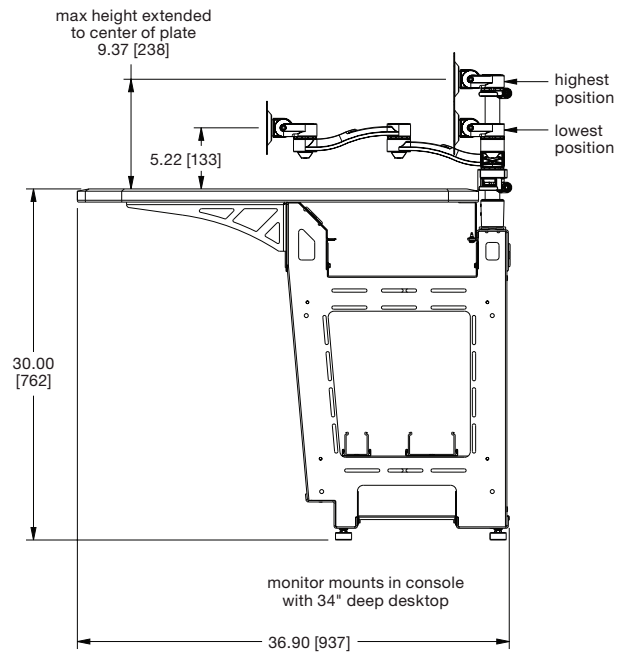
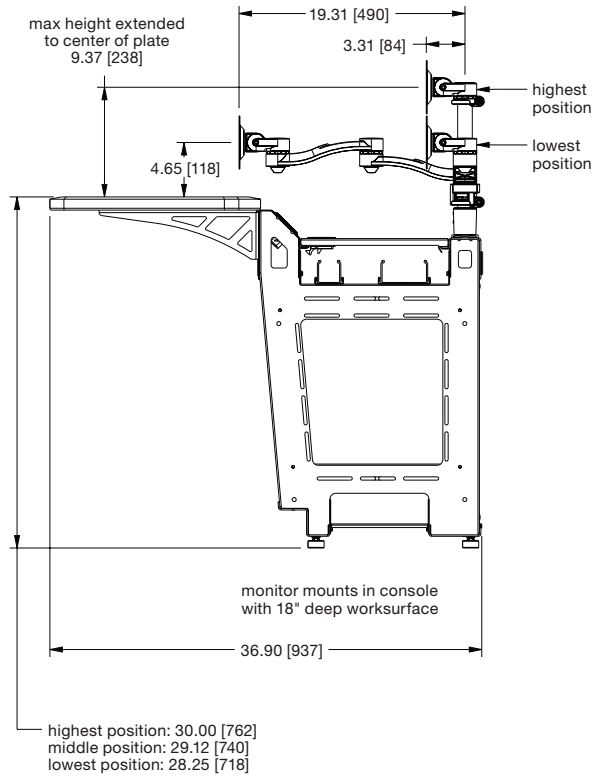
**Middle Atlantic Products**

middleatlantic.com | middleatlantic.ca

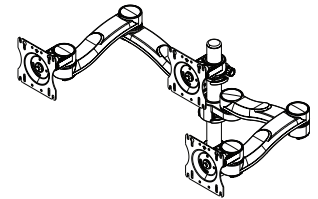
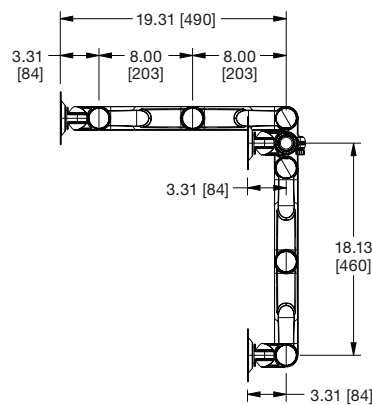
# ViewPoint™

## triple horizontal monitor mount basic dimensions

all dimensions in inches unless otherwise noted [all dimensions in brackets are in millimeters]



top view  
horizontal range



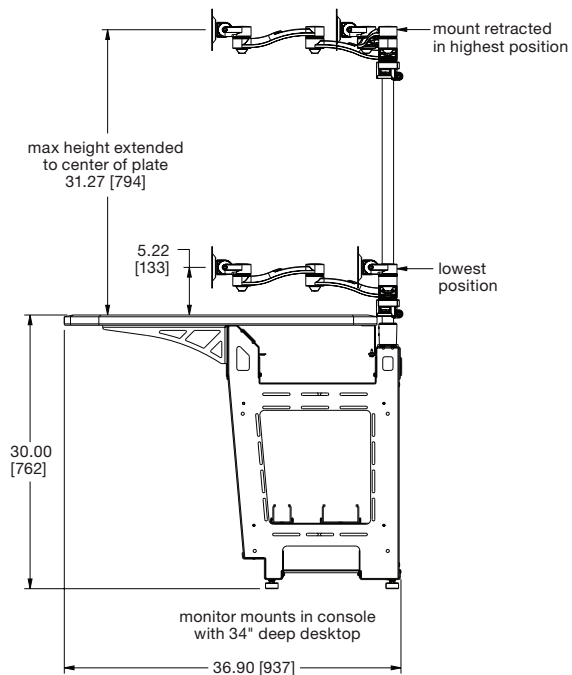
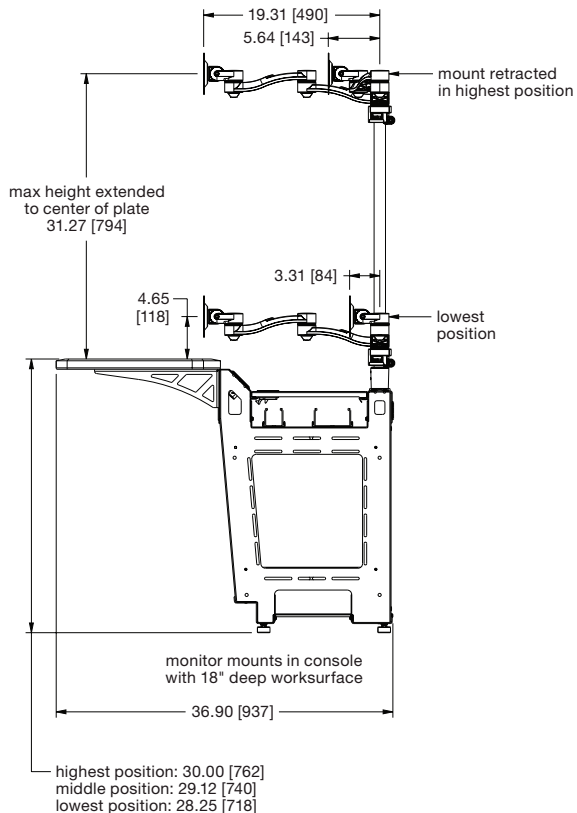
Notes:

1. Horizontal Range: 19.3" per arm
2. Pole Height: 12"
3. Rotation: 360 degrees at six joints
4. Monitor Tilt: 185 degrees
5. Monitor Pivot: landscape to portrait
6. Monitor Capability: VESA 75MM and 100MM
7. Cable Management: under arm
8. Monitor Weight: up to 20 lbs. per monitor
9. Monitor Size: two (36" max) screens and three (18" max) screens

# ViewPoint™

quadruple monitor mount, two rows of two basic dimensions

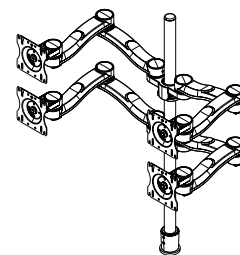
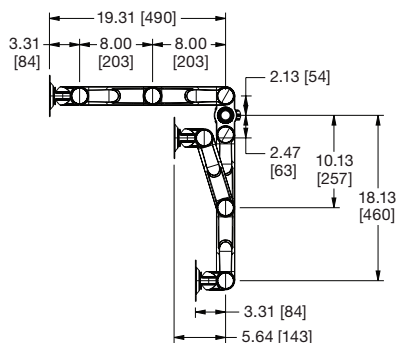
all dimensions in inches unless otherwise noted [all dimensions in brackets are in millimeters]



Notes:

1. Horizontal Range: 19.3" per arm
2. Pole Height: 30"
3. Rotation: 360 degrees at twelve joints
4. Monitor Tilt: 185 degrees
5. Monitor Pivot: landscape to portrait
6. Monitor Capability: VESA 75MM and 100MM
7. Cable Management: under arm
8. Monitor Weight: up to 20 lbs. per monitor
9. Monitor Size: four (36" max) screens

top view  
arm retracted and horizontal range



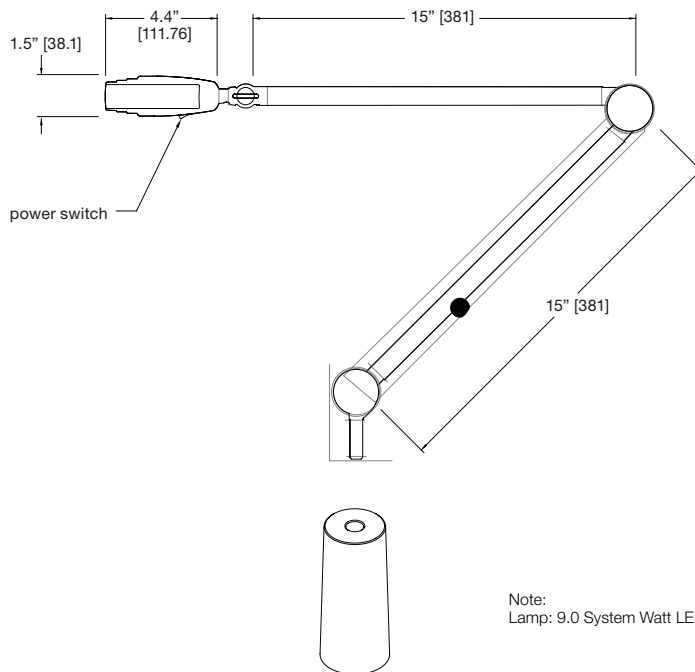
what great systems are built on.™

# ViewPoint™

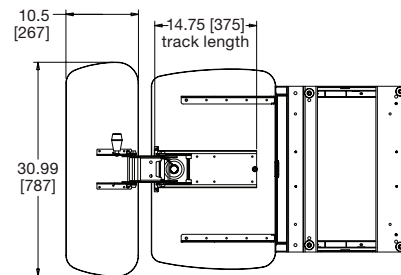
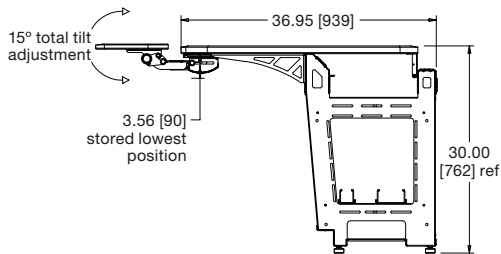
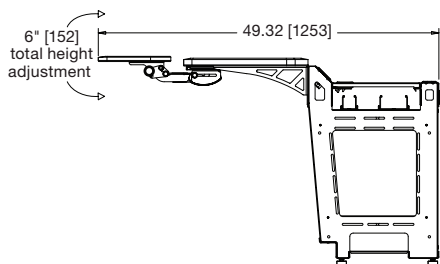
## task light and keyboard tray basic dimensions

all dimensions in inches unless otherwise noted [all dimensions in brackets are in millimeters]

task light



keyboard tray

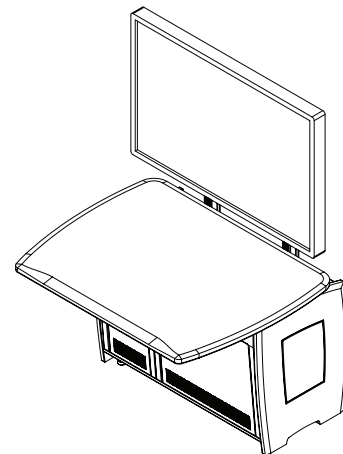
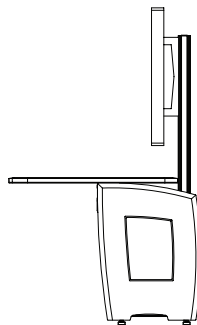
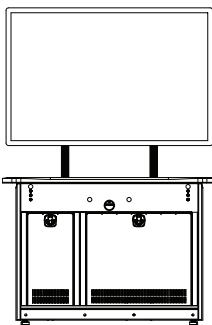
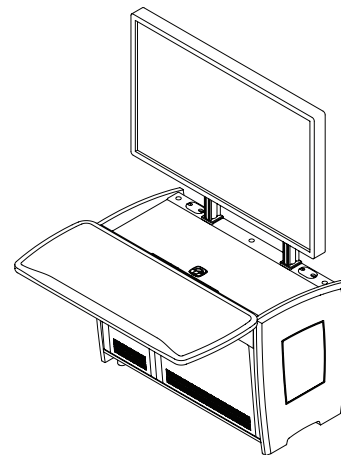
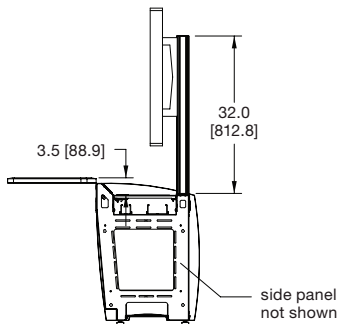
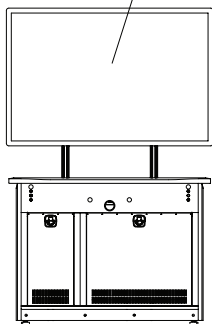


# ViewPoint™

## large format monitor mount basic dimensions

all dimensions in inches unless otherwise noted [all dimensions in brackets are in millimeters]

2 monitor mount models  
 VC-MM32x41 for 32" to 41" monitors (screen size)  
 VC-MM42x63 for 42" to 63" monitors (screen size)



**Notes:**

VC-MM-32x41  
 distance between poles, on center (minimum)-10.25"  
 distance between poles, on center (maximum)-19.5"

VC-MM-42x63  
 distance between poles, on center (minimum)-10.25"  
 distance between poles, on center (maximum)-31.0"

VC-MM32x41  
 minimum height-17"  
 minimum width-23"

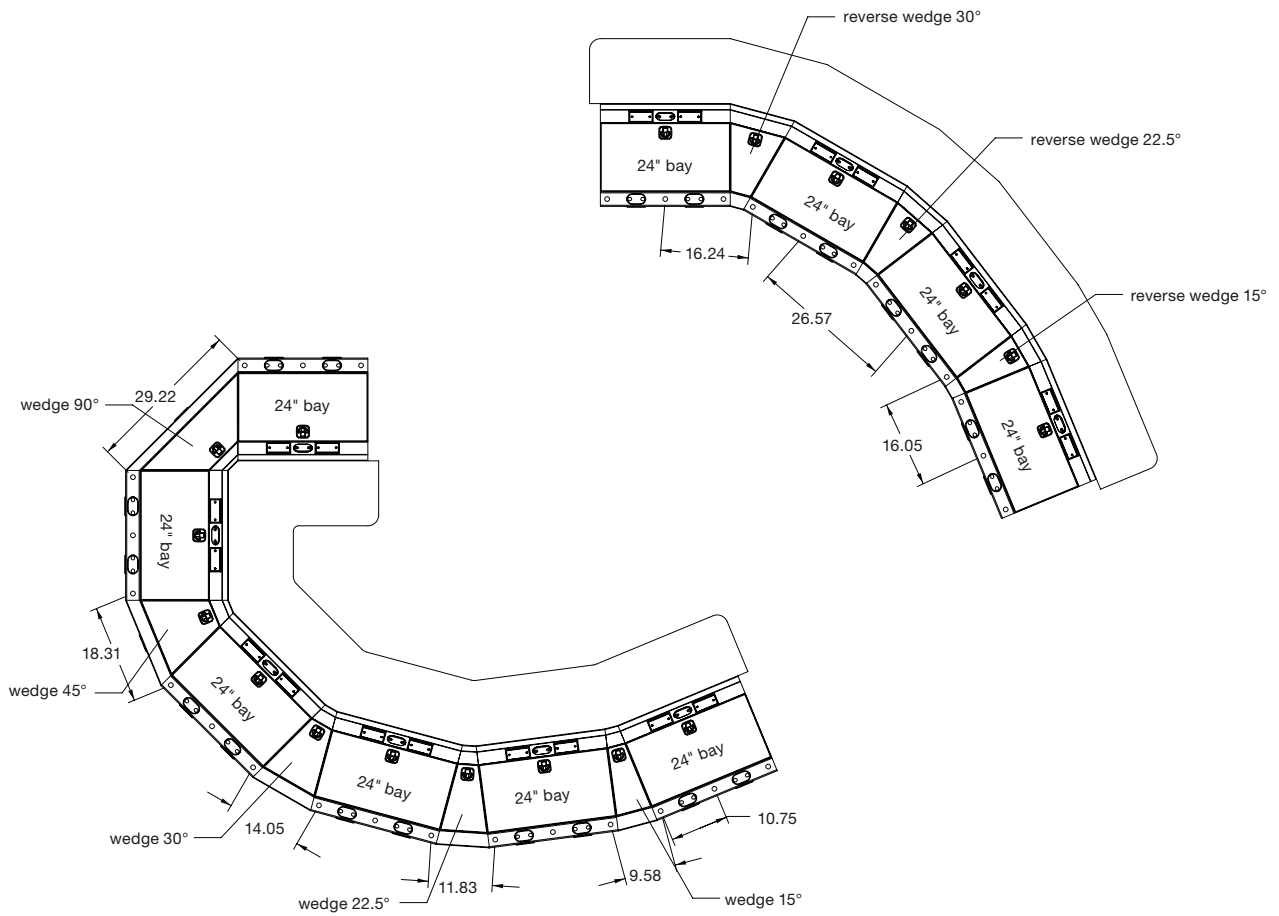
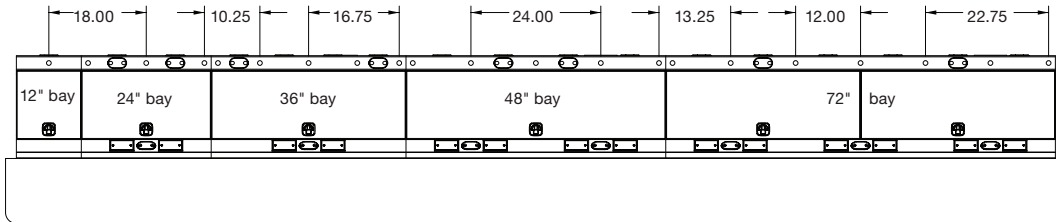
VC-MM42x63  
 minimum height-37"  
 minimum width-60"

Maximum height is determined by measuring from the highest mounting screw on the rear of the monitor to the top of the monitor and adding 31".


# ViewPoint™

## large format monitor mounting details

all dimensions in inches unless otherwise noted [all dimensions in brackets are in millimeters]



what great systems are built on.™

A Group brand |  legrand

  
**Middle Atlantic Products**  
 middleatlantic.com | middleatlantic.ca

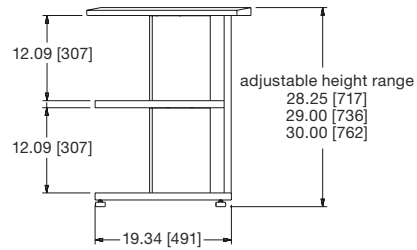
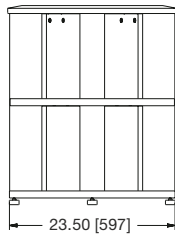
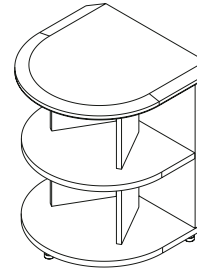
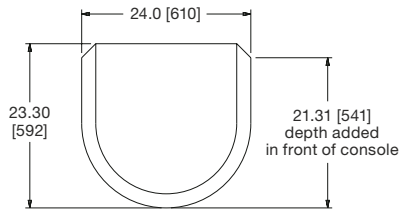


# ViewPoint™

## book shelf details

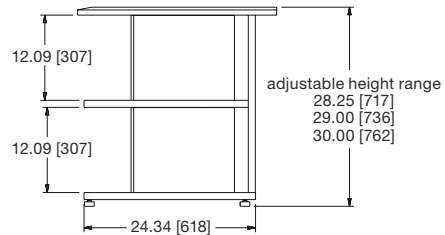
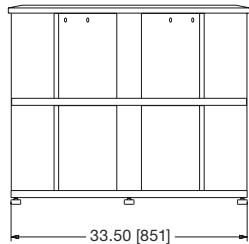
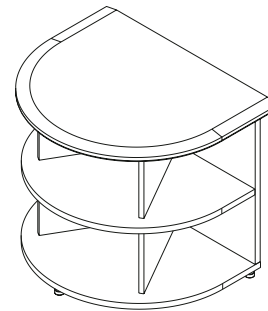
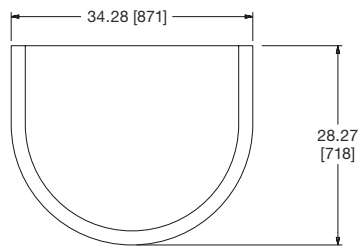
all dimensions in inches unless otherwise noted [all dimensions in brackets are in millimeters]

VC-BC24



Note:  
VC-BC24 can be added in front of any 24" bay, or  
on the end of the storage cabinet or peninsula

VC-BC34



Note:  
VC-BC34 can be added at the end of any  
row of consoles in place of side panel.

what **great systems** are built on.™

A Group brand | **legrand**

**Middle Atlantic Products**

[middleatlantic.com](http://middleatlantic.com) | [middleatlantic.ca](http://middleatlantic.ca)

# ViewPoint™

## peninsula details

all dimensions in inches unless otherwise noted [all dimensions in brackets are in millimeters]

