

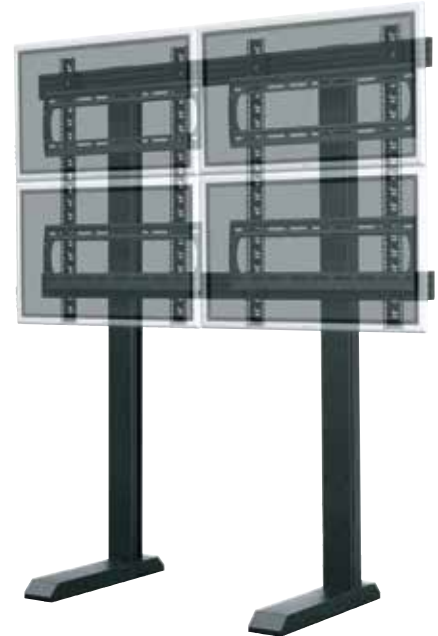
# VisionFrame™

video monitor wall

robust video monitor wall system  
application engineered for unparalleled  
monitor support

## features:

- Assembles quickly and easily
- Integral cable management channels
- Designed to meet the specific needs of each installation
- Walls can be designed up to 13' 3" high, with limitless width
- Freestanding and Deskmount models available
- Power strips mount directly to the frame
- ETL Listed in the US and Canada



## specifications:

Patented VisionFrame™ video monitor wall shall be Middle Atlantic Products model # VFMS-\_(D for Deskmount, F for Freestanding). Overall Dimensions of the Video wall shall be \_\_\_"W x \_\_\_"H" (dimensions determined by layout; not to exceed 13' 3" in height, no limit on width). Video monitor wall shall support \_\_\_ 10" to 80" monitors (determined by layout) on \_\_\_\_\_ mounts (tilting, articulating). Video monitor wall shall be constructed of 3.5" x 5.25" Horizontal and 1.375" x 4.5" Vertical 6005-T5 Aluminum extrusions with internal cable management provisions. Video monitor wall shall be finished in a durable black powder coat. Mounts shall conform to the VESA FDMI standard. Freestanding video monitor wall shall be fastened to the floor and to the wall. Deskmount Video wall shall be fastened to a ViewPoint™ Series console or LD Series LCD desk, shall be the width of the bay, and be a maximum of 80" in height. Video monitor wall shall be ETL Listed to UL Standard 962 in the US and to CAN/CSA C22.2 No. 0-M91 in Canada. Video monitor wall shall be GREENGUARD Gold Certified. Video monitor wall shall be RoHS EU Directive 2002/95/EC compliant. Video monitor wall shall be manufactured by an ISO 9001 and ISO 14001 registered company. Video monitor wall shall be warranted to be free from defects in material or workmanship under normal use and conditions for the lifetime of the system.

Customizable specification clips available at [middleatlantic.com](http://middleatlantic.com)



PRODUCT CERTIFIED FOR  
LOW CHEMICAL EMISSIONS  
UL.COM/GG  
UL 2818

US PATENT# 8, 505, 860

## options:

- Three rackspace rear hanging mount shall be model # VF-VPM-3
- Accessory panel mount shall be model # VF-MPV

what **great systems** are built on.™

A Group brand | **legrand**

The logo for Middle Atlantic Products features a stylized, handwritten-style 'MA' in a dark color, with a registered trademark symbol (®) to its right.

**Middle Atlantic Products**

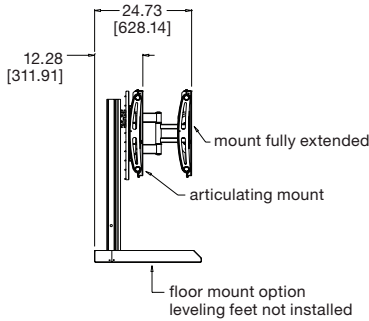
[middleatlantic.com](http://middleatlantic.com) | [middleatlantic.ca](http://middleatlantic.ca)

96-01146 / rev 1b / 12-16-13

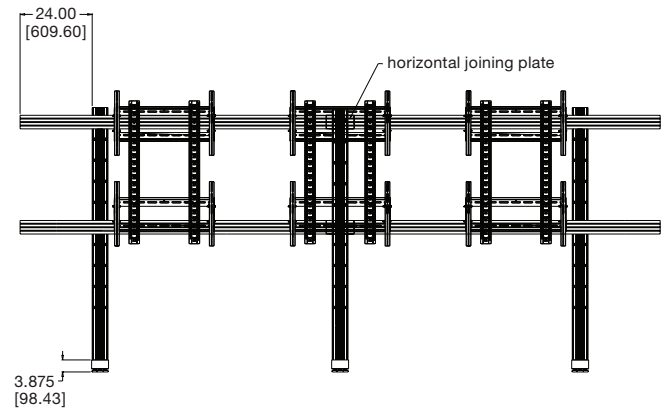
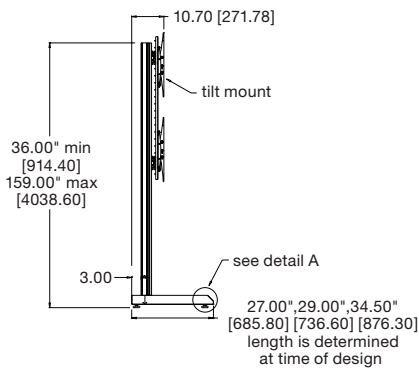
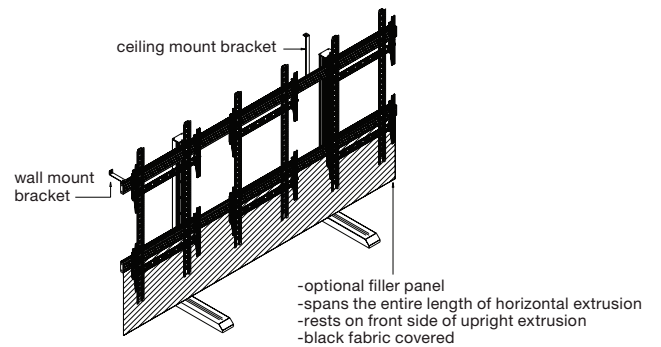
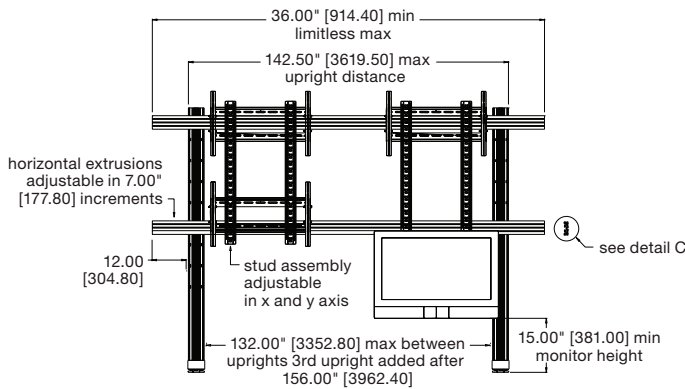
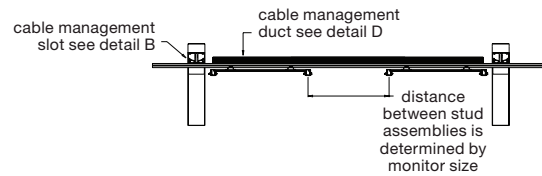
# VisionFrame™

## free standing video wall basic dimensions

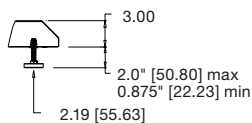
all dimensions in inches unless otherwise noted [all dimensions in brackets are in millimeters]



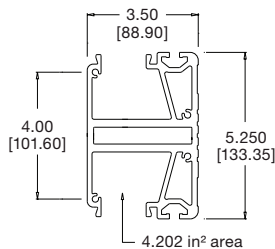
Note: The monitor wall systems shown in this document are representative examples only. Please see Middle Atlantic Designer™ software to design your specific wall system.



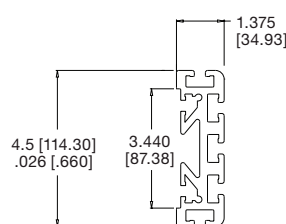
detail a



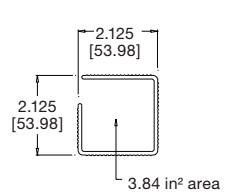
detail b



detail c



detail d



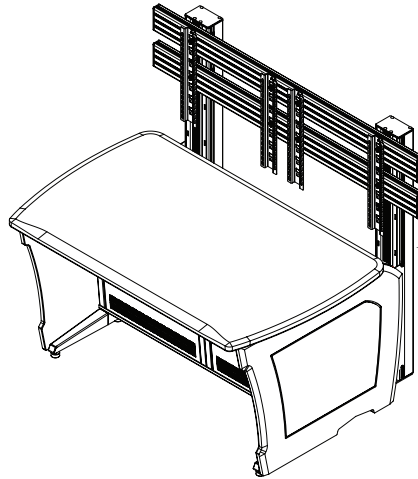
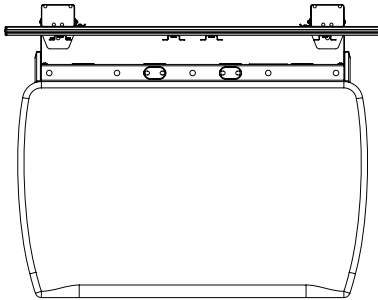
what great systems are built on.™

# VisionFrame™

## desk wall basic dimensions

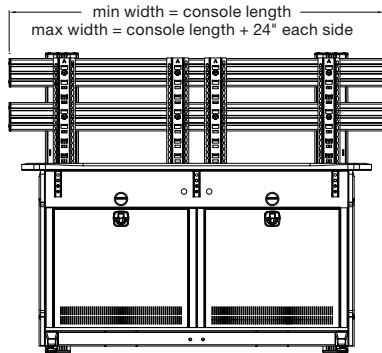
all dimensions in inches unless otherwise noted [all dimensions in brackets are in millimeters]

top view

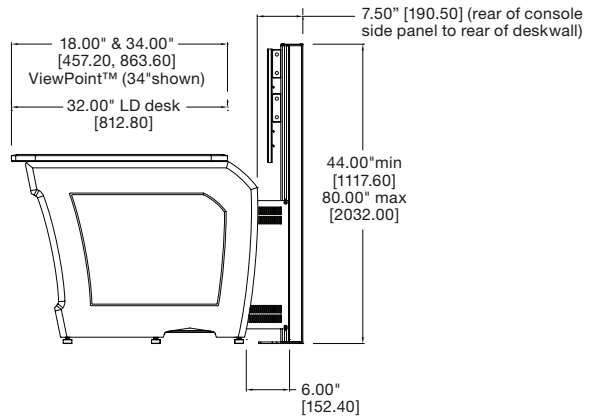


deskwall compatible with  
LD Series LCD desk and ViewPoint™  
console (shown) in the following sizes:  
- 36", 48" and 72" (ViewPoint)  
- 48" and 64" (LCD series desk)

front view



side view



what **great systems** are built on.™

A Group brand | **legrand**

**Middle Atlantic Products**

middleatlantic.com | middleatlantic.ca

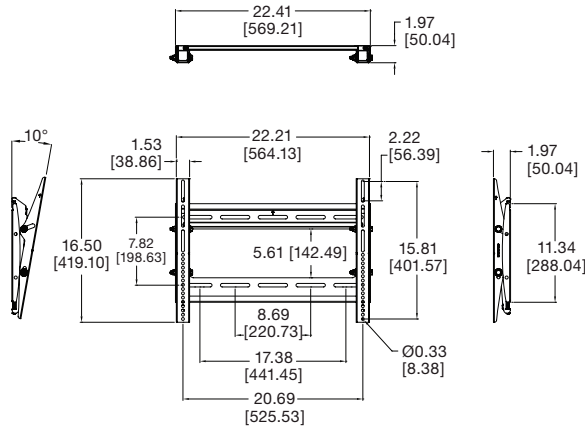
# VisionFrame™

monitor mounts basic dimensions

all dimensions in inches unless otherwise noted [all dimensions in brackets are in millimeters]

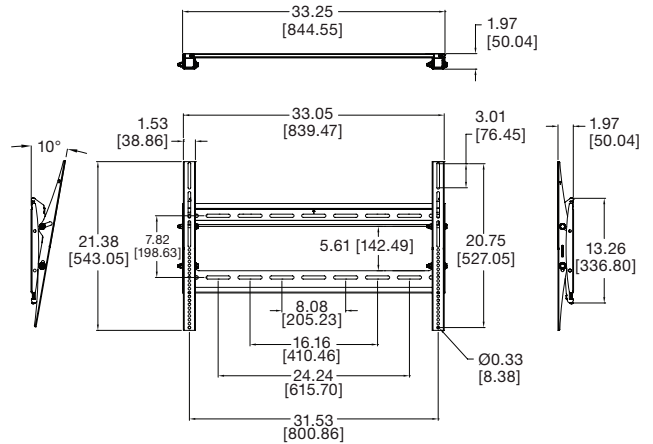
## VFMS-25X40T

25"-40" Monitor Range  
130 lbs. Max



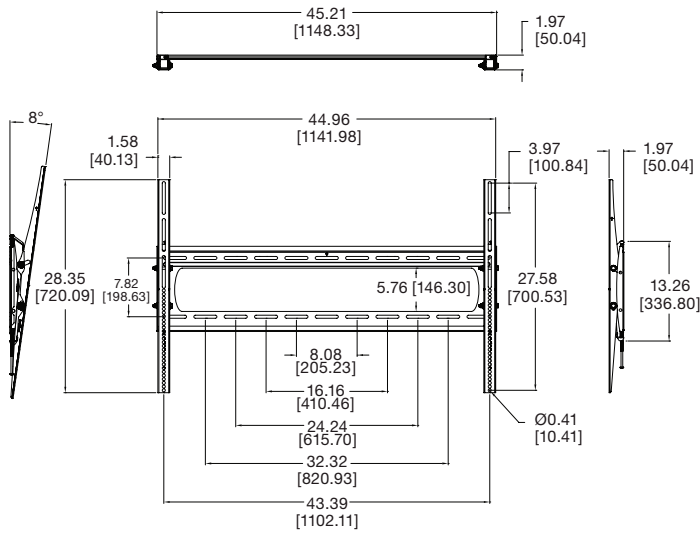
## VFMS-41X63T

41"-63" Monitor Range  
175 lbs. Max



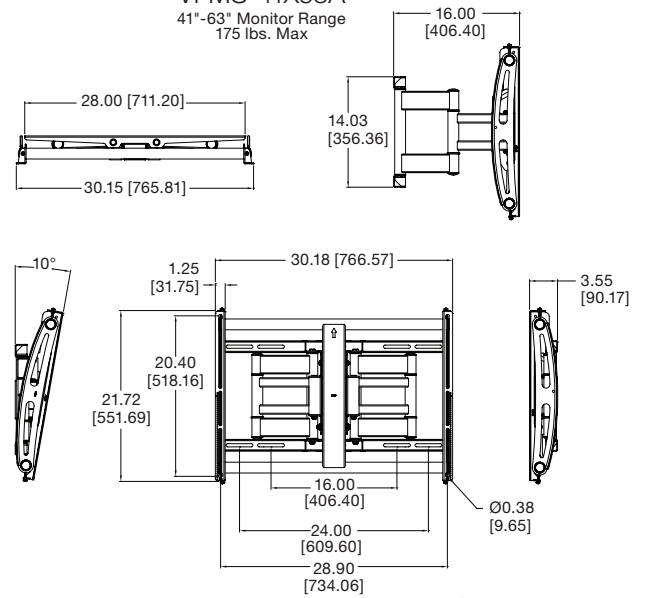
## VFMS-64X80T

64"-80" Monitor Range  
300 lbs. Max



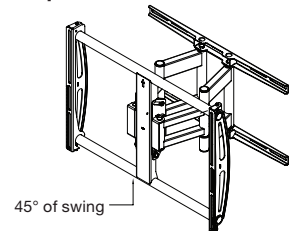
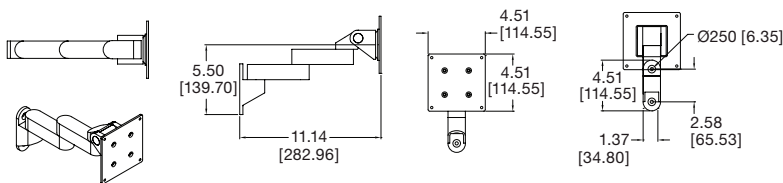
## VFMS-41X63A

41"-63" Monitor Range  
175 lbs. Max



## VFMS-10X24A

10"-24" Monitor Range  
45 lbs. Max

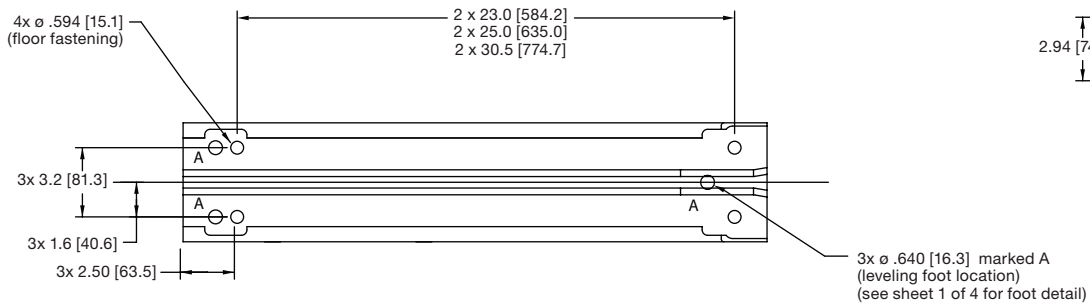


# VisionFrame™

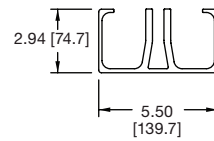
base basic dimensions

all dimensions in inches unless otherwise noted [all dimensions in brackets are in millimeters]

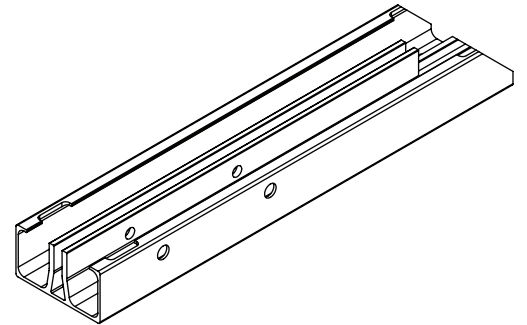
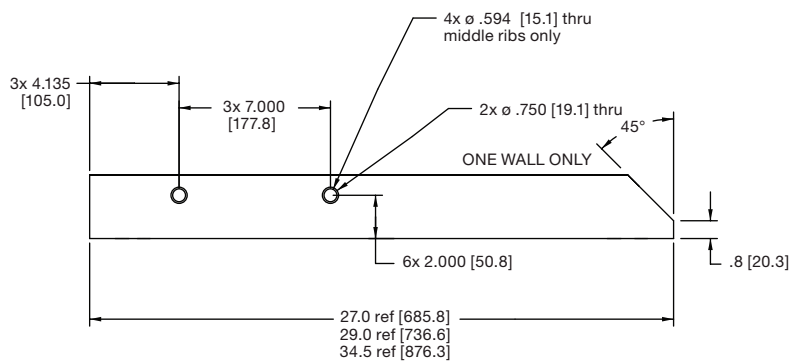
top view



back view



side view



NOTE:  
Base length is determined at time of design

what **great systems** are built on.™

A Group brand | **legrand**

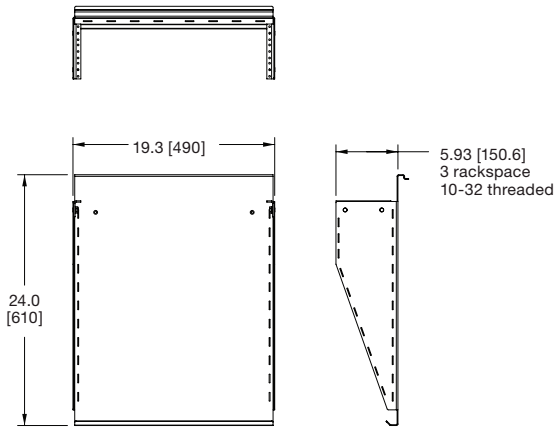
**MA**  
Middle Atlantic Products  
middleatlantic.com | middleatlantic.ca

# VisionFrame™

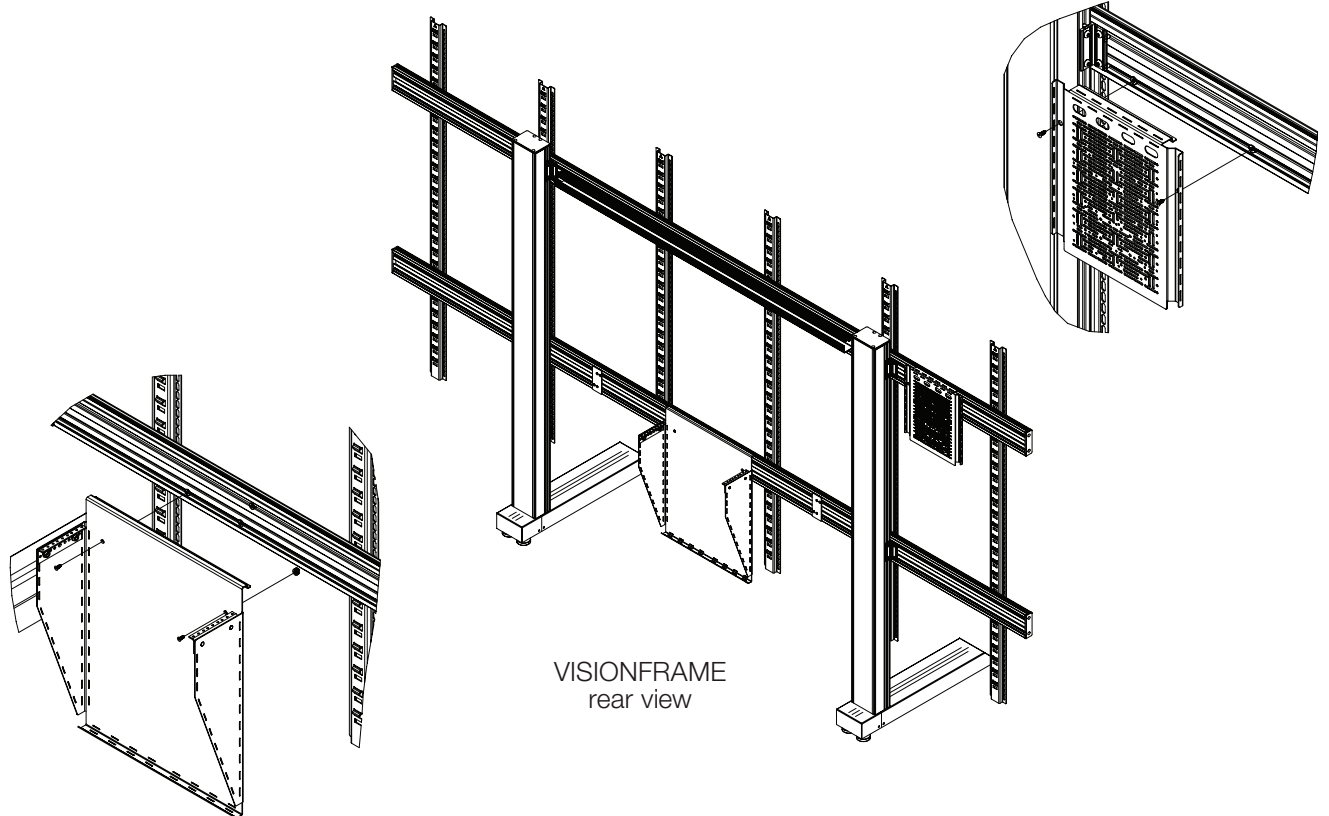
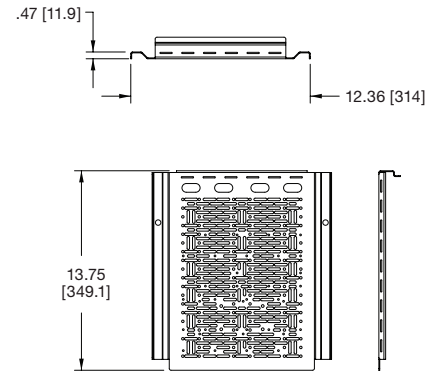
base basic dimensions

all dimensions in inches unless otherwise noted [all dimensions in brackets are in millimeters]

VF-VPM-3



VF-MPV



what **great systems** are built on.™