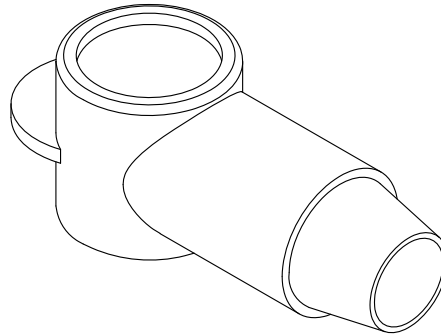
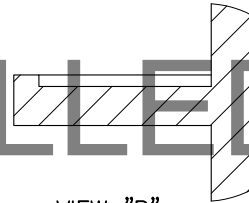
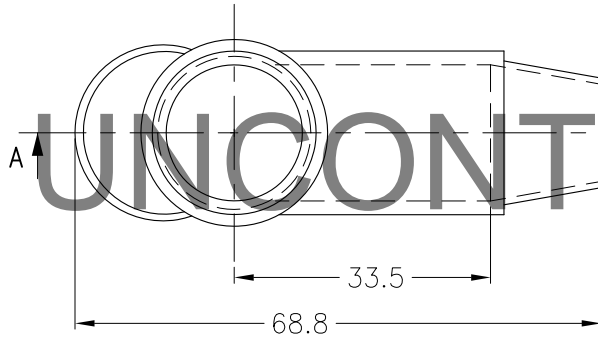
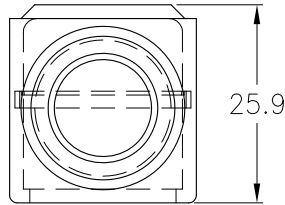
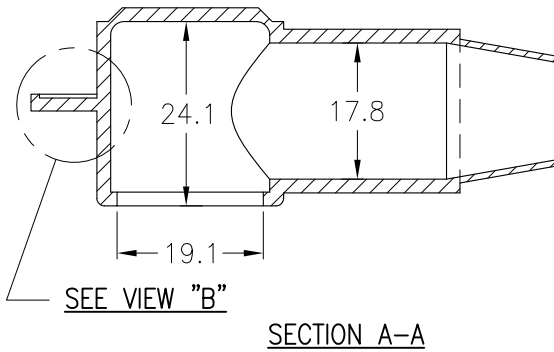


PROPRIETARY RIGHTS ARE CLAIMED FOR THE MATERIAL DISCLOSED IN THIS DRAWING.

TYP. WALL THICKNESS = 1.8



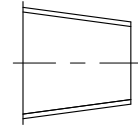
VTE Material Part No: 1101650114.
 Material: BLACK PVC;
 Material Part No: 9812-65
 Max. Operating Temp: 105 C
 Shore Durometer: "A" 10 SEC. 67/63
 Specific Gravity: 1.33
 Ult. Elongation %: 520
 Brittle Temp: -36 C
 Tensile Strength PSI: 1563 PSI
 Dielectric Strength v./ml: 540
 U.L. Rating: 94 V2
 MEETS: FMVSS.302

1360-103				
TITLE Black Terminal Insulator Cap				
CUSTOMER STANDARD				
METRIC (MM)			SCALE 1:1	
REV #	REVISION	DATE	BY	APPROVE
X0	INITIAL RELEASE	11-21 2012		

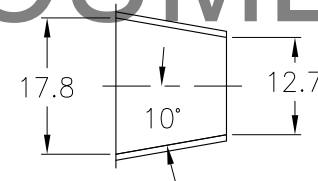
SEAL OPTIONS
 SEAL THICKNESS = .8



NO. 1
 Wire Gages
 18 - 10



NO. 2
 Cable Gages
 8 - 2



NO. 3
 Cable Gages
 2 - 2/0

TOLERANCE UNLESS OTHERWISE SPECIFIED: $\pm 0.030"/\pm 0.8mm$
 RADIAL DIAMETERS TO BE MEASURED OVER MANDRELS,
 RING GAGES OR PIN GAGES OF SUITABLE SIZE.



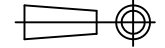
16830 Pheasant Drive
 Brookfield, WI 53005

CONFIDENTIAL — The information contained in this document is the property of GEP Power Products. It is not for public disclosure. Possession of the information does not convey any right to loan, sell or disclose the information. Unauthorized reproduction or use of the information is prohibited. This document is to be returned to GEP Power Products upon completion of the purpose for which it is loaned or upon request.

COPYRIGHT — GEP Power Products
 This is an unpublished work. The disclosure of this work is limited to a select personnel. Further dissemination or disclosure to the public is PROHIBITED. This unpublished work is protected by Federal Copyright law and all rights thereunder are reserved by GEP Power Products.

TOLERANCES UNLESS OTHERWISE SPECIFIED	
METRIC TOL	ENGLISH TOL
1 PL DEC. = $\pm .25$	2 PL DEC. = $\pm .01$
2 PL DEC. = $\pm .13$	3 PL DEC. = $\pm .005$

THIRD ANGLE PROJECTION



ANGULAR TOL = $\pm 2^\circ$
 FRACTION TOL = $\pm 1/64$ IN