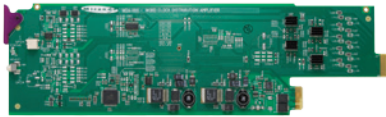
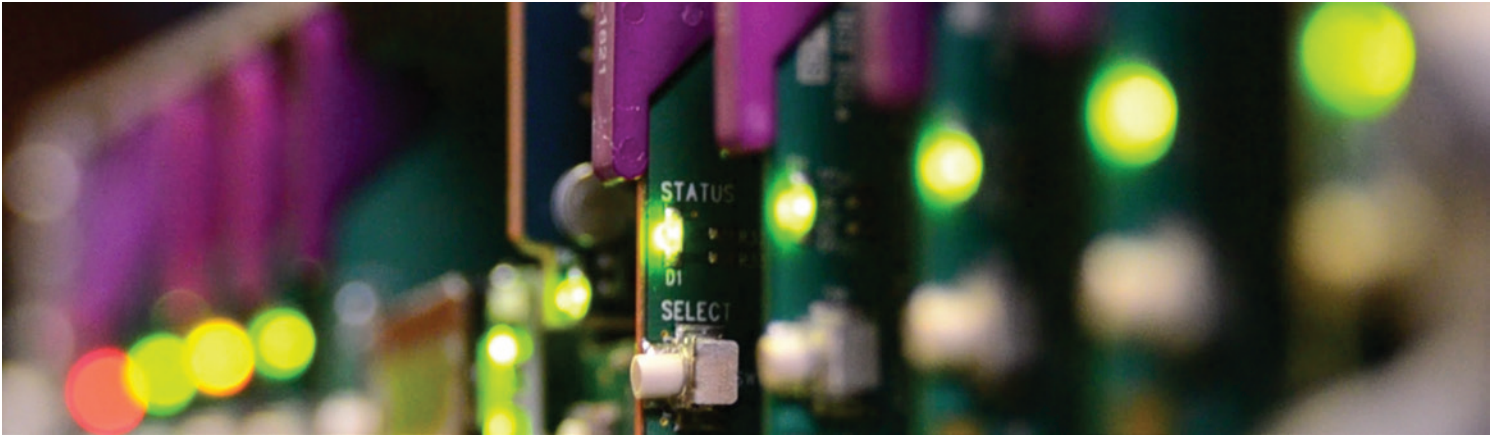


# WDA-1001

## Word Clock Distribution Amplifier



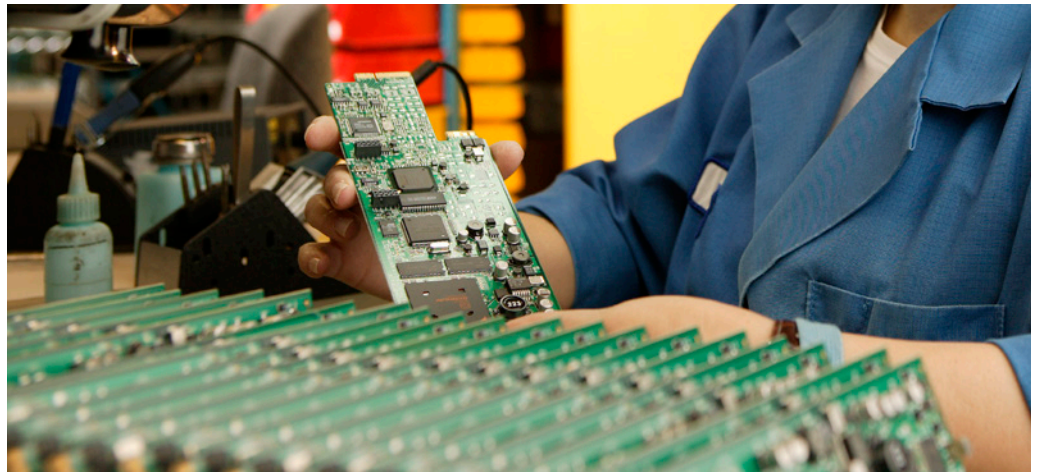
Space-saving, modular platform for advanced signal processing.

The WDA-1001 from Grass Valley, a Belden Brand, is a Word Clock distribution amplifier that provides eight outputs and supports a wide range of clock frequencies and amplitudes.

It can fan out AC coupled as well as TTL/CMOS types of signals because the amplifier maintains an end-to-end DC transparency.

A passive loop-through input is provided to ease distribution of more than eight Word Clock signals by daisy chaining other WDA-1001 cards.

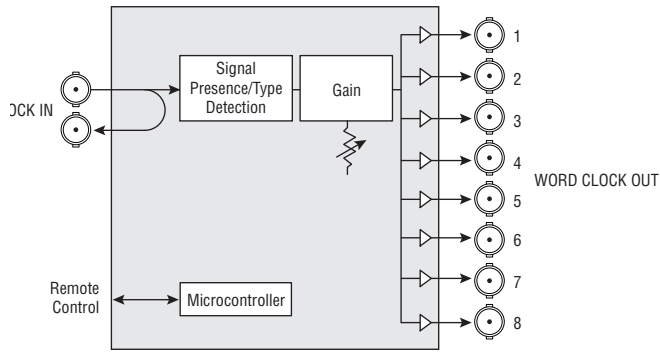
Alarms can be enabled to monitor input signal presence and/or overload conditions with user programmable thresholds.



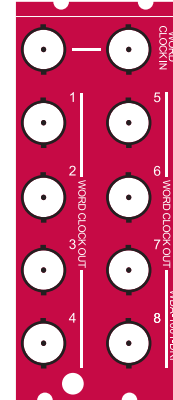
# WDA-1001 Word Clock Distribution Amplifier

## KEY FEATURES

- Fans out up to 8 Word Clock signals
- DC Coupled all the way through
- Wide range of amplitudes and frequencies
- Works with both AC-coupled and TTL/CMOS type of signals
- SDIF-2 Word Clock compliant
- Built-in basic input signal probing with programmable thresholds
- Adjustable output levels



WDA-1001 Functional Block Diagram



WDA-1001-DRP

## SPECIFICATIONS

### Input

**Signal:** Word Clock, TTL/CMOS, AC-Coupled or SDIF-2

**Connectors (2):** BNC

**Maximum input level:**  $\pm 8$  Vp

**Impedance:**  $> 6$  k $\Omega$

### Outputs (8)

**Signal:** Word Clock, DC coupled with input

**Connectors:** BNC

**Impedance:** 75 $\Omega$

**Output load:**  $\geq 75\Omega$

### Maximum Output Levels

#### TTL input signal:

+7 Vp with 1 k $\Omega$  load

+3.5 Vp with 75 $\Omega$  load

#### AC-coupled

#### Input signal:

13 Vpp with 1 k $\Omega$  load

6 Vpp with 75 $\Omega$  load

### Processing

DC Coupled, non-relocking and non-resaping distribution amplifier

**Bandwidth:** 32 to 96 kHz

#### Gain with:

$> 1$  k $\Omega$  load: -3 to +12 dB

75 $\Omega$  load: -9 to +3 dB

**Propagation delay:**  $< 50$  ns

### Electrical

**Power:** 8W

## ORDERING

### Densité 2 Frame

WDA-1001

WDA-1001-DRP

### Remote Control

### Densité 3 Frame

WDA-1001-3RU

WDA-1001-DRP-3RU

iControl, iControl Solo, RCP-200

### Description

Word Clock distribution amplifier

Double rear connector panel



WWW.GRASSVALLEY.COM

Join the Conversation at **GrassValleyLive** on Facebook, Twitter, YouTube and **Grass Valley - A Belden Brand** on LinkedIn.



Belden, Belden Sending All The Right Signals and the Belden logo are trademarks or registered trademarks of Belden Inc. or its affiliated companies in the United States and other jurisdictions. Grass Valley, Densité and iControl are trademarks or registered trademarks of Grass Valley, Belden Inc., Grass Valley and other parties may also have trademark rights in other terms used herein.

Copyright © 2014 Grass Valley. All rights reserved. Specifications subject to change without notice.