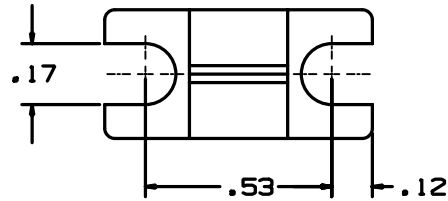
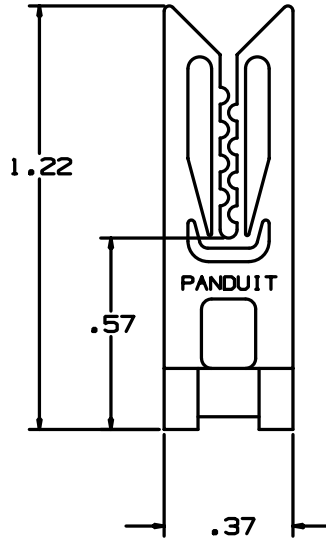
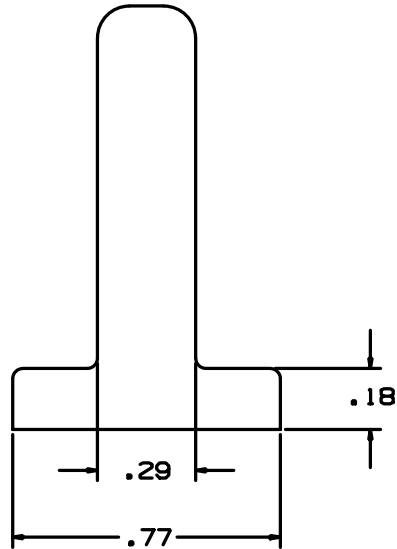


THIS COPY IS PROVIDED ON A RESTRICTED BASIS AND IS NOT TO BE USED IN ANY WAY DETRIMENTAL TO THE INTERESTS OF PANDUIT CORP.



| PANDUIT PART NUMBER* | WEIGHT lbs/100 pcs (g)/100 pcs | RANGE OF WIRE SIZES | REC'M. FASTENER |
|----------------------|--------------------------------------|---------------------|------------------|
| WEH-E8 | .59 (267) | 16 TO 28 A.W.G. | #8 (M4) SCREW |



- NOTES:
- SEE CURRENT PRICE SHEET FOR PART NUMBER SUFFIX DESIGNATION FOR PACKAGE SIZE.
 - COLOR: BLACK

DIMENSIONS IN PARENTHESES ARE METRIC

CAD FILENAME/LAYERS G00239ET_PB_WEHE8_01

PANDUIT CORP. TINLEY PARK, ILLINOIS

WIRE END HOLDER WEH-E8

UNLESS OTHERWISE SPECIFIED,
DIMENSIONAL TOLERANCES ARE:
(.X) ±0.05 (1.3) (.XX) ±0.010 (0.25)
(.XX) ±0.02 (0.5) ANGLES ± 5°

UNLESS OTHERWISE SPECIFIED,
ALL DIMENSIONS ARE GIVEN
IN INCHES, THIRD ANGLE PROJECTION.

| REV | DATE | BY | CHK | DESCRIPTION | ECN | R | CUST | SUP |
|-----|----------|------|-----|-----------------|----------|---|------|-----|
| I | 10/12/04 | JAD | | .77 DIM WAS .79 | GB0239ET | 1 | | |
| R | 01/20/97 | CGSM | | INITIAL RELEASE | GB0239ET | R | | |

DRAWN BY
CGSM
DATE
01/20/97
CHK'D

MAT'L:
ACETAL

SCALE
2/1
DRAWING NO.
GB0239ET
DWG
A
SIZE