


**Middle Atlantic Products**

EXCEPTIONAL SUPPORT &amp; PROTECTION™

# Cable Ladders and Accessories



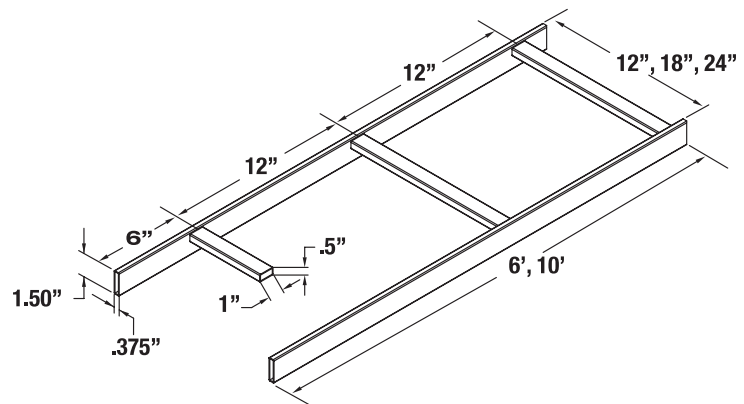
EIA/TIA Compliant



## The CL Series fully welded heavy-duty cable ladders and accessories

### Features

- Ladder sections individually boxed with handles for ease of transport
- Compatible with most popular brands and accessories of cable ladders
- Works on both new and existing installations
- Highly scratch resistant, durable black powder coat
- A full line of hardware and accessories available
- UL Classified in the US and Canada



### Architects' and Engineers' Specifications

#### CLB-10 / CLB-6

Single piece \_\_\_(6', 10')\_\_\_ (refer to chart) long straight cable ladder sections shall be Middle Atlantic Products model # CLB-\_\_\_(6, 10)\_\_\_ (refer to chart.) Ladder sections shall be \_\_\_(6', 10')\_\_\_ long x \_\_\_(12\", 18\", 24\")\_\_\_ wide x 1.5\" thick, rungs shall be 1\" x .5\" x \_\_\_\" (11.25\", 17.25\", 23.25\") tube. Ladder section shall have \_\_\_rungs on 12\" centers. Ladder shall be constructed of ASTM A570 structural steel finished in a durable black powder coat. Each CLB series ladder section shall be individually boxed with handles. CLB Series cable ladder shall have up to 187 lb. weight capacity per foot based on a 4 ft. support span. Cable ladder shall be classified by UL in the US and Canada. Cable ladder shall be GREENGUARD Indoor Air Quality Certified and GREENGUARD Gold Certified. Cable ladder shall comply with the requirements of RoHS EU Directive 2002/95/EC. Cable ladder shall be manufactured by an ISO 9001 and ISO 14001 Registered Company. Cable ladder shall be warranted to be free from defects in material and workmanship under normal use and conditions for the lifetime of the product.

#### CLB-90HB

90 degree horizontal bend cable ladder sections shall be Middle Atlantic Products model # CLB-90HB-\_\_\_ (refer to chart.) Ladder sections shall be \_\_\_ wide x 27\" long x 1.5\" thick, rungs shall be 1\" x .5\" x \_\_\_\" (11.25\", 17.25\", 23.25\") tube. Ladder bend section shall have four rungs on 5.2\" centers on inside of bend and 10.25\" centers on outside of bend. Bend section shall be constructed of ASTM A570 structural steel finished in a durable black powder coat. Each CLB series ladder section shall be individually boxed. CLB-90HB-\_\_\_ shall have up to 187 lb. weight capacity per foot based on a 4 ft. support span. Cable ladder shall

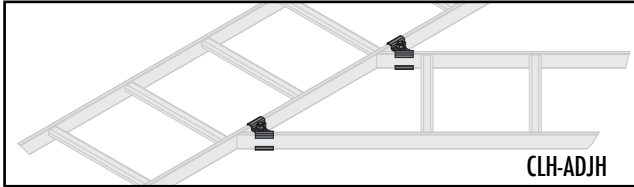
be classified by UL in the US and Canada. Cable ladder shall be GREENGUARD Indoor Air Quality Certified and GREENGUARD Gold Certified. Cable ladder shall comply with the requirements of RoHS EU Directive 2002/95/EC. Cable ladder shall be manufactured by an ISO 9001 and ISO 14001 Registered Company. Cable ladder shall be warranted to be free from defects in material and workmanship under normal use and conditions for the lifetime of the product.

#### CLB-VI90 / CLB-VO90

90 degree vertical \_\_\_\_\_(inside, outside) bend cable ladder sections shall be Middle Atlantic Products model # CLB-\_\_\_(VI, VO)90-\_\_\_. Ladder sections shall be \_\_\_(12\", 18\", 24\")\_\_\_ wide x 15.5\" long x 1.5\" thick, rungs shall be 1\" x .5\" x 11.25\". Ladder bend section shall have 4 rungs on \_\_\_(4.8\", 5.3\")\_\_\_ centers. Bend section shall be constructed of ASTM A570 structural steel finished in a durable black powder coat. Each CLB series ladder section shall be individually boxed. CLB-VI90 / CLB-VO90 shall have up to 187 lb. weight capacity per foot based on a 4 ft. support span. Cable ladder shall comply with the requirements of RoHS EU Directive 2002 / 95 / EC. Cable ladder shall be classified by UL in the US and Canada. Cable ladder shall be GREENGUARD Indoor Air Quality Certified and GREENGUARD Gold Certified. Cable ladder shall be manufactured by an ISO 9001 and ISO 14001 Registered Company. Cable ladder shall be warranted to be free from defects in material and workmanship under normal use and conditions for the lifetime of the product.

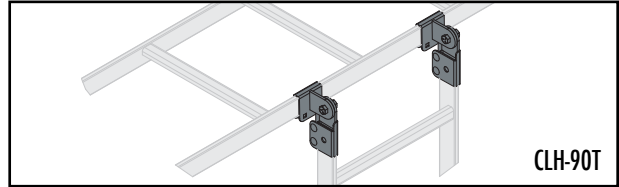
CUSTOMIZABLE SPECIFICATION CLIPS AVAILABLE AT MIDDLEATLANTIC.COM

## CL Series Cable Ladders and Accessories



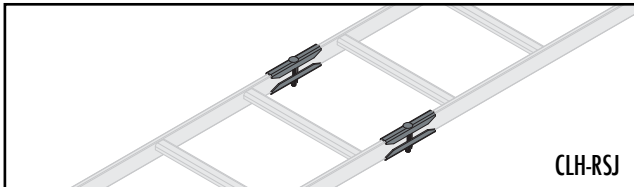
CLH-ADJH

Pair of adjustable horizontal splice hardware shall be Middle Atlantic Products model # CLH-ADJH. Hardware kit shall be of all steel construction with black zinc coating. Classified by UL in the US and Canada.



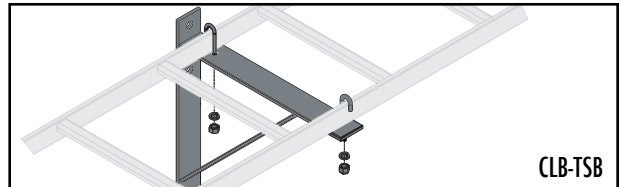
CLH-90T

Pair of adjustable 90 degree tee splice hardware shall be Middle Atlantic Products model # CLH-90T. Hardware kit shall be of all steel construction with black zinc coating. Classified by UL in the US and Canada.



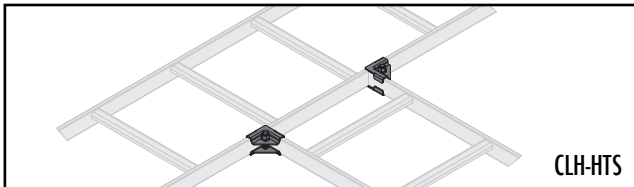
CLH-RSJ

Pair of ladder end splice hardware shall be Middle Atlantic Products model # CLH-RSJ. Hardware kit shall be of all steel construction with black zinc coating. Classified by UL in the US and Canada.



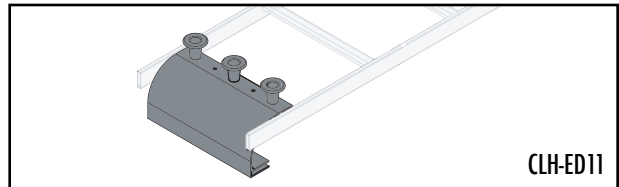
CLB-TSB

Triangle wall support brackets shall be Middle Atlantic Products model # CLB-TSB-\_\_\_. Hardware kit shall be of all steel construction with black powder coat finish.



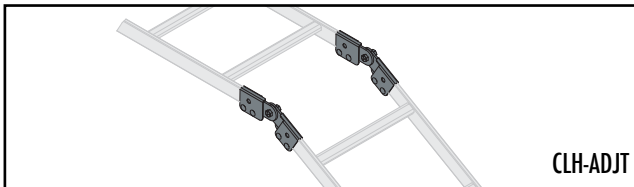
CLH-HTS

Pair of 90 degree horizontal tee splice hardware shall be Middle Atlantic Products model # CLH-HTS. Hardware kit shall be of all steel construction with black zinc coating. Classified by UL in the US and Canada.



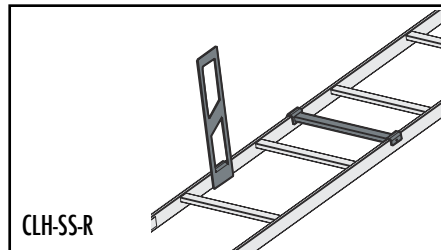
CLH-ED11

Cable ladder end/side drop with three cable spools shall be Middle Atlantic Products model # CLH-ED/SD-\_\_\_. End/side drop shall be of aluminum construction with black powder coat finish. Cable spools shall be black plastic. Classified by UL in the US and Canada.



CLH-ADJT

Pair of adjustable ladder end splice hardware shall be Middle Atlantic Products model # CLH-ADJT. Hardware kit shall be of all steel construction with black zinc coating. Classified by UL in the US and Canada.

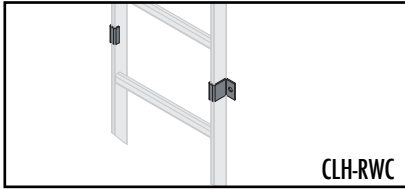


CLH-SS-R

Pair of 12" High stand-off shall be Middle Atlantic Products model # CLH-SS-12.

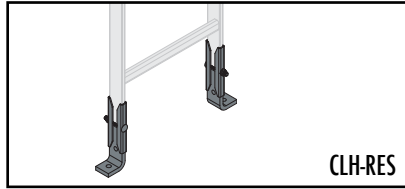


## CL Series Cable Ladders and Accessories



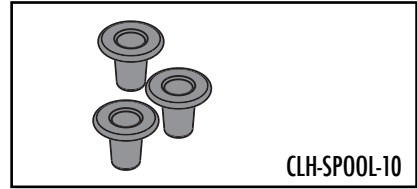
CLH-RWC

Pair of ladder wall clamps shall be Middle Atlantic Products model # CLH-RWC. Hardware kit shall be of all steel construction with black zinc coating.



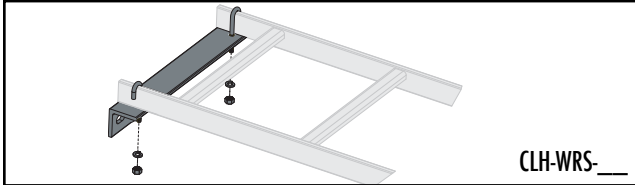
CLH-RES

Pair of ladder end support hardware shall be Middle Atlantic Products model # CLH-RES. Hardware kit shall be of all steel construction with zinc coating.



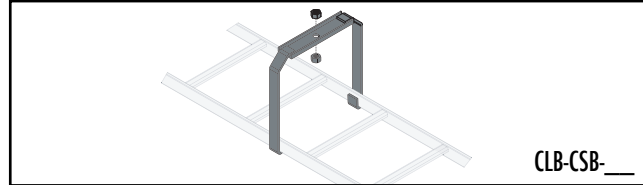
CLH-SPOOL-10

Pack of ten plastic cable spools shall be Middle Atlantic Products model # CLH-SPOOL-10. Cable spools shall be black plastic.



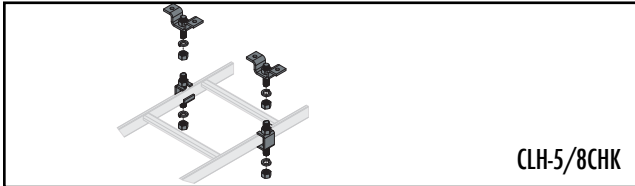
CLH-WRS-\_\_

Ladder wall support shall be Middle Atlantic Products model # CLH-WRS-\_\_ (refer to chart.) Hardware kit shall be of all steel construction with black powder coat finish. Shall also be available in a contractor pack of six pieces, model # CLH-WRS-6.



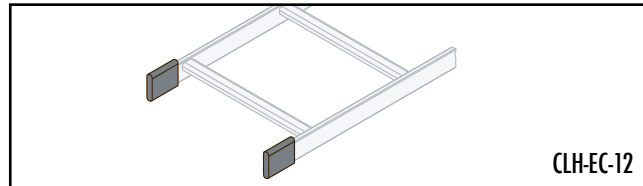
CLB-CSB-\_\_

Ladder center support brackets shall be Middle Atlantic Products model # CLB-CSB-\_\_ (refer to chart.) Hardware kit shall be of all steel construction with black powder coat finish.



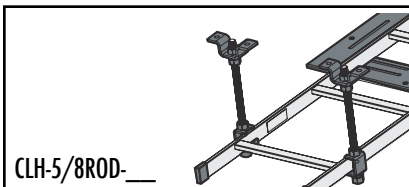
CLH-5/8CHK

Set of slotted ladder support hardware with ceiling hang kit shall be Middle Atlantic Products model # CLH-5/8CHK. Hardware kit shall be of all steel construction with black zinc coating.



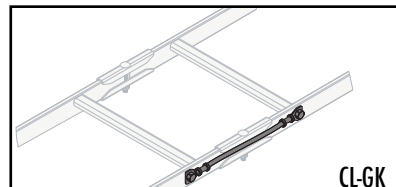
CLH-EC-12

Pack of six pairs of ladder end caps shall be Middle Atlantic Products model # CLH-EC-12. End caps shall be black rubber. Classified by UL in the US and Canada.



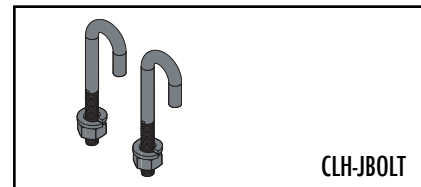
CLH-5/8ROD-\_\_

Adjustable 5/8" threaded rod shall be CLH-5/8ROD-12-4 (four 12" long pieces), CLH-5/8ROD-6 (one 6' length)



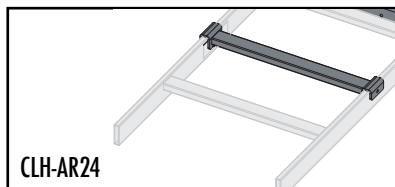
CL-GK

Cable ladder bonding kit shall be Middle Atlantic Products model # CL-GK. Classified by UL in the US and Canada.



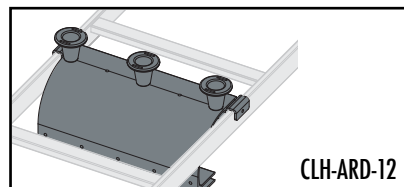
CLH-JBOLT

Pair of J-Bolts shall be Middle Atlantic Products model # CLH-JBOLT



CLH-AR24

Adjustable rung shall be Middle Atlantic Products model # CLH-AR-\_\_ (12", 18", 24")



CLH-ARD-12

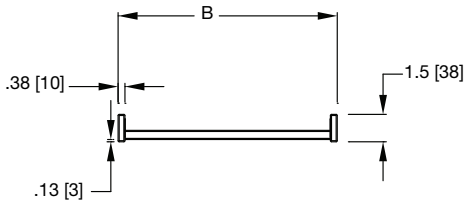
Adjustable rung drop shall be Middle Atlantic Products model # CLH-ARD-\_\_ (12", 18", 24")



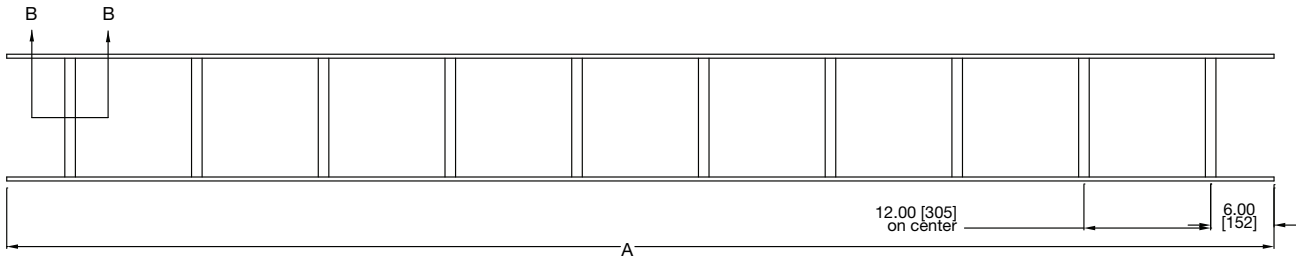
# CLB basic dimensions



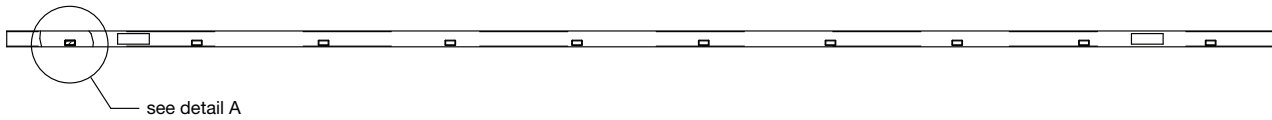
FRONT VIEW



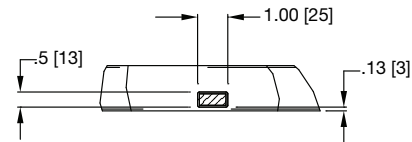
| Support Span | Weight Rating Per Foot [meter] |
|--------------|--------------------------------|
| 4 ft. [1.2m] | 187 lbs. [26 kg]               |
| 5 ft. [1.5m] | 119 lbs. [16 kg]               |
| 6 ft. [1.8m] | 83 lbs. [11 kg]                |
| 7 ft. [2.1m] | 62 lbs. [9 kg]                 |
| 8 ft. [2.4m] | 50 lbs. [7 kg]                 |



SECTION B-B



DETAIL A

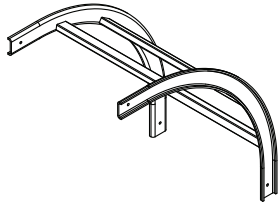


| Part #     | "A" Length    | "B" Width   | # of Rungs |
|------------|---------------|-------------|------------|
| CLB-6      | 72.00 [1829]  | 12.00 [305] | 6          |
| CLB-6-W18  | 72.00 [1829]  | 18.00 [457] | 6          |
| CLB-6-W24  | 72.00 [1829]  | 24.00 [610] | 6          |
| CLB-10     | 120.00 [3048] | 12.00 [305] | 10         |
| CLB-10-W18 | 120.00 [3048] | 18.00 [457] | 10         |
| CLB-10-W24 | 120.00 [3048] | 24.00 [610] | 10         |

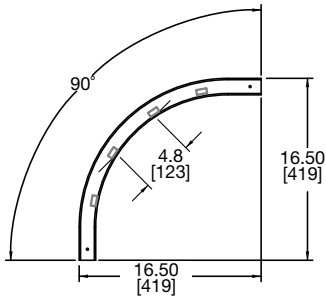
All dimensions in inches unless otherwise noted [bracketed dimensions are in millimeters unless otherwise noted]

# CLB Series basic dimensions

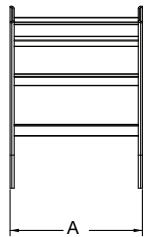
## CLB-VI90



| Part #       | "A" Length  |
|--------------|-------------|
| CLB-VI90     | 12.00 [305] |
| CLB-VI90-W18 | 18.00 [457] |
| CLB-VI90-W24 | 24.00 [610] |

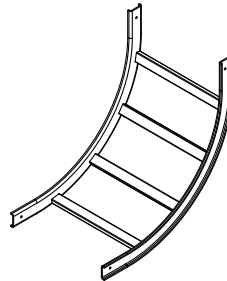


SIDE VIEW

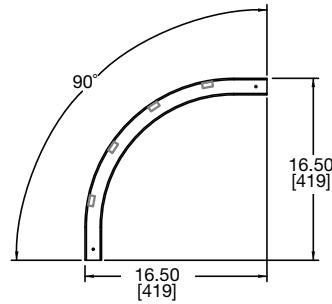


FRONT VIEW

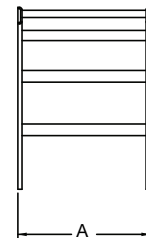
## CLB-V090



| Part #       | "A" Length  |
|--------------|-------------|
| CLB-V090     | 12.00 [305] |
| CLB-V090-W18 | 18.00 [457] |
| CLB-V090-W24 | 24.00 [610] |

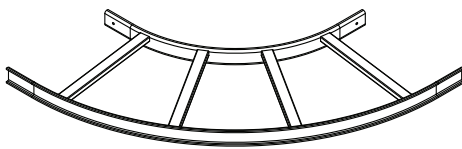


SIDE VIEW

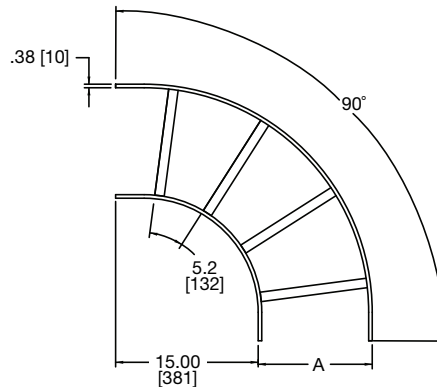


FRONT VIEW

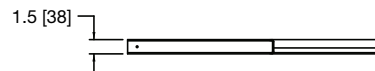
## CLB-90HB



| Part #       | "A" Length  |
|--------------|-------------|
| CLB-90HB     | 12.00 [305] |
| CLB-90HB-W18 | 18.00 [457] |
| CLB-90HB-W24 | 24.00 [610] |



SIDE VIEW



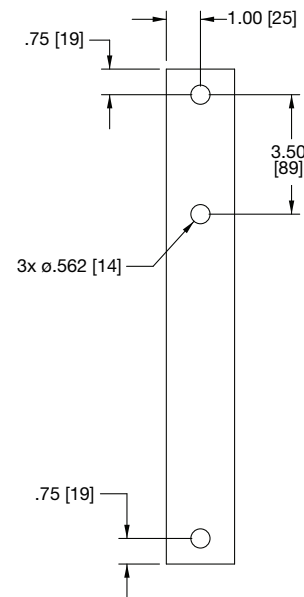
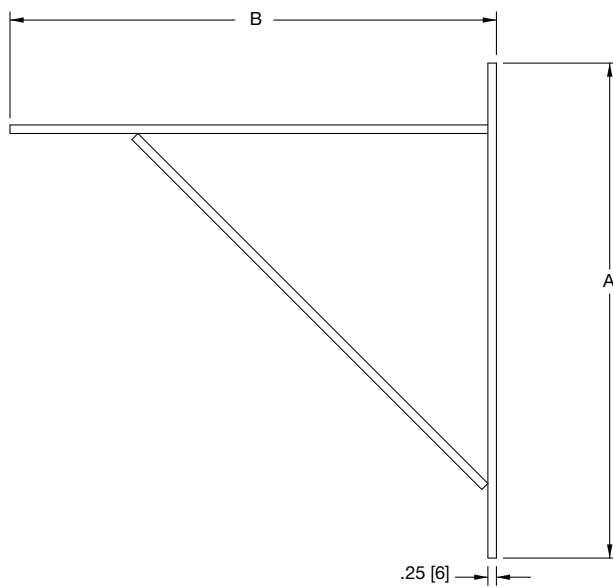
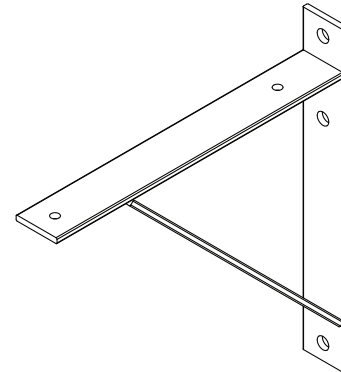
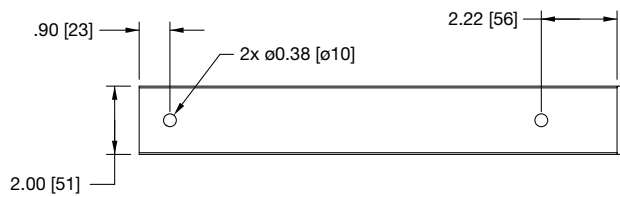
FRONT VIEW



All dimensions in inches unless otherwise noted [bracketed dimensions are in millimeters unless otherwise noted]

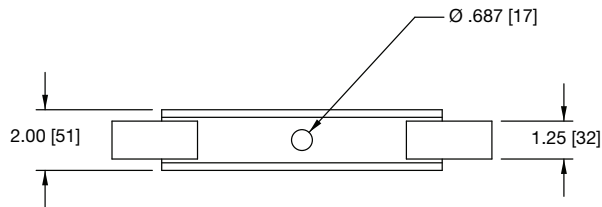
## CLB-TSB Series basic dimensions

All dimensions in inches unless otherwise noted [bracketed dimensions are in millimeters unless otherwise noted]

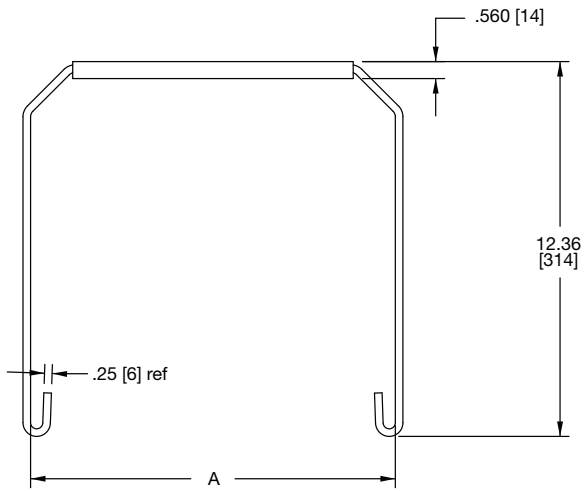
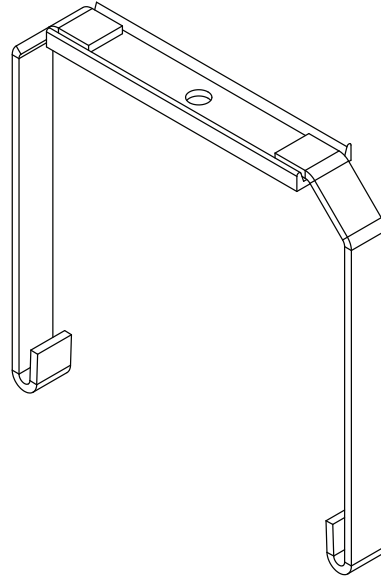


| Part #      | "A"         | "B"         |
|-------------|-------------|-------------|
| CLB-TSB     | 14.50 [368] | 14.25 [362] |
| CLB-TSB-W18 | 20.50 [521] | 20.50 [521] |
| CLB-TSB-W24 | 20.50 [521] | 26.25 [667] |

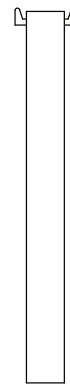
# CLB-CSB basic dimensions



TOP VIEW



SIDE VIEW

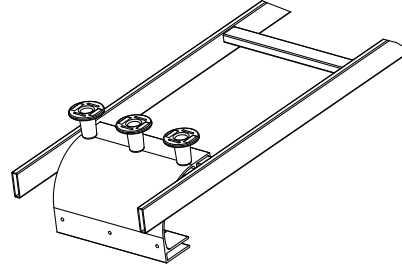
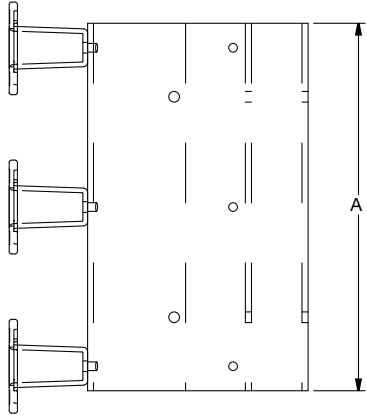


| Part #      | "A"<br>Length |
|-------------|---------------|
| CLB-CSB     | 12.00 [305]   |
| CLB-CSB-W18 | 18.00 [457]   |
| CLB-CSB-W24 | 24.00 [610]   |

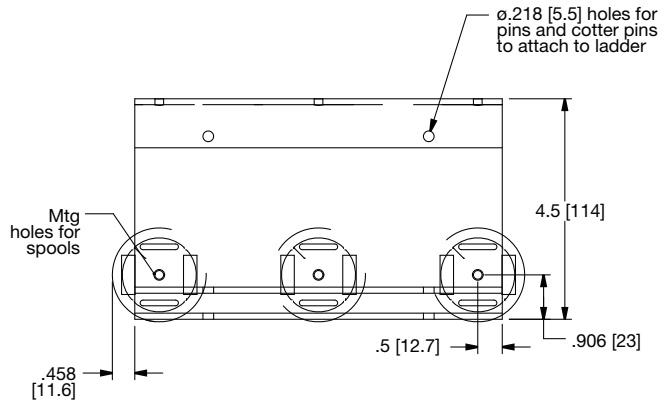
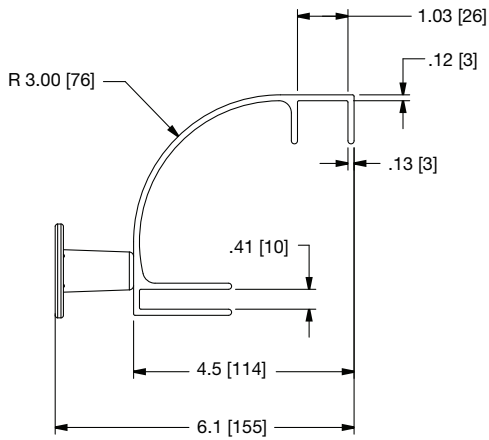


All dimensions in inches unless otherwise noted [bracketed dimensions are in millimeters unless otherwise noted]

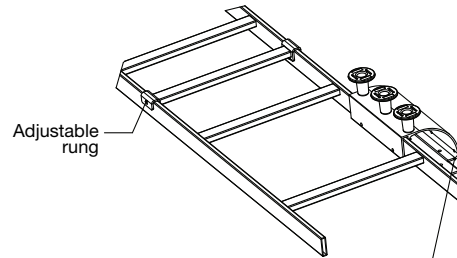
# CLH basic dimensions



| Part #   | "A"         | Qty of Spools | Can be used on the following ladder widths |
|----------|-------------|---------------|--|
| CLH-ED5  | 5.00 [127]  | 1             | 6", 9", 12", 15", 18" & 24"                |
| CLH-ED8  | 7.50 [191]  | 3             | 9", 12", 15", 18" & 24"                    |
| CLH-ED11 | 11.00 [279] | 3             | 12", 15", 18" & 24"                        |
| CLH-ED17 | 16.75 [426] | 5             | 18" & 24"                                  |
| CLH-ED23 | 22.75 [578] | 7             | 24"  |
| CLH-SD8  | 7.50 [191]  | 3             | 6", 9", 12", 15", 18" & 24"                |



| Part #    | Useable Width | End Drop Included |
|-----------|---------------|-------------------|
| CLH-AR12  | 12.00 [305]   | No                |
| CLH-ARD12 | 12.00 [305]   | Yes               |
| CLH-AR18  | 18.00 [457]   | No                |
| CLH-ARD18 | 18.00 [457]   | Yes               |
| CLH-AR24  | 24.00 [610]   | No                |
| CLH-ARD24 | 24.00 [610]   | Yes               |



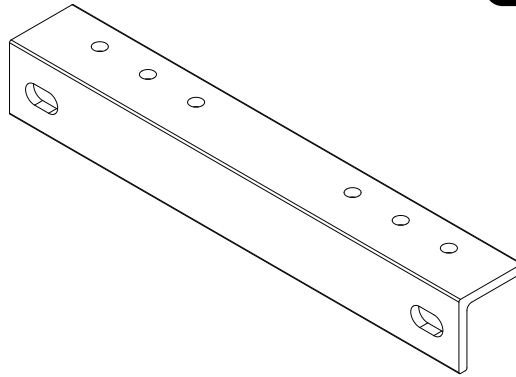
The CLH-ED8 can be used as a side drop with all cable ladders



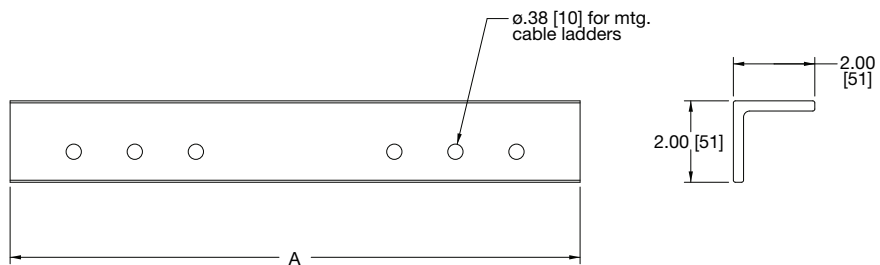
All dimensions in inches unless otherwise noted [bracketed dimensions are in millimeters unless otherwise noted]



# CLH basic dimensions



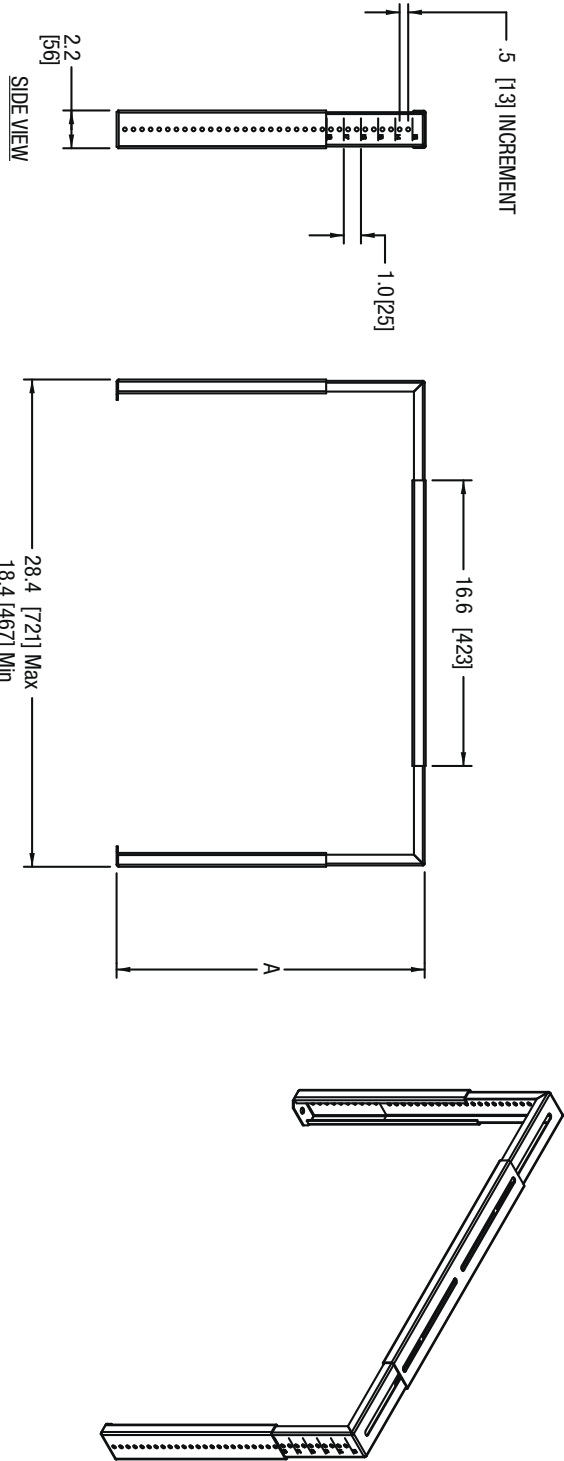
| Part #          | "A"         | Qty of Mtg Holes | Cable Ladders Used On |
|-----------------|-------------|------------------|-----------------------|
| CLH-WRS         | 14.00 [356] | 2                | 12"                   |
| CLH-WRS-W6-W12  | 14.00 [356] | 6                | 6", 9", 12"           |
| CLH-WRS-W18-W24 | 26.00 [356] | 6                | 15", 18", 24"         |



All dimensions in inches unless otherwise noted [bracketed dimensions are in millimeters unless otherwise noted]

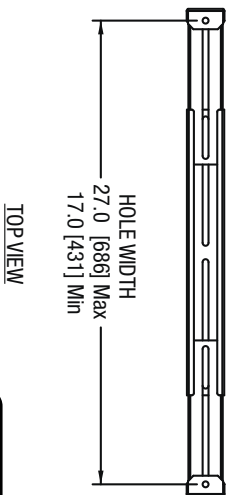
# CLB-ELS basic dimensions

All dimensions in inches unless otherwise noted [bracketed dimensions are in millimeters unless otherwise noted]



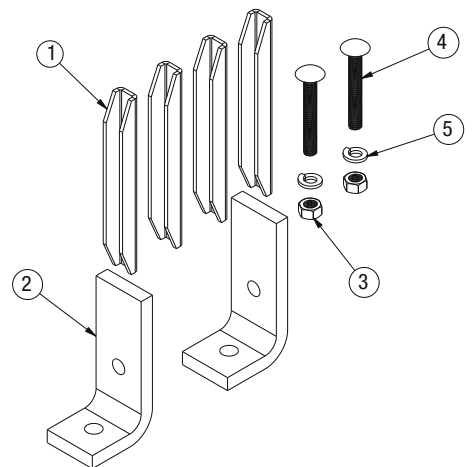
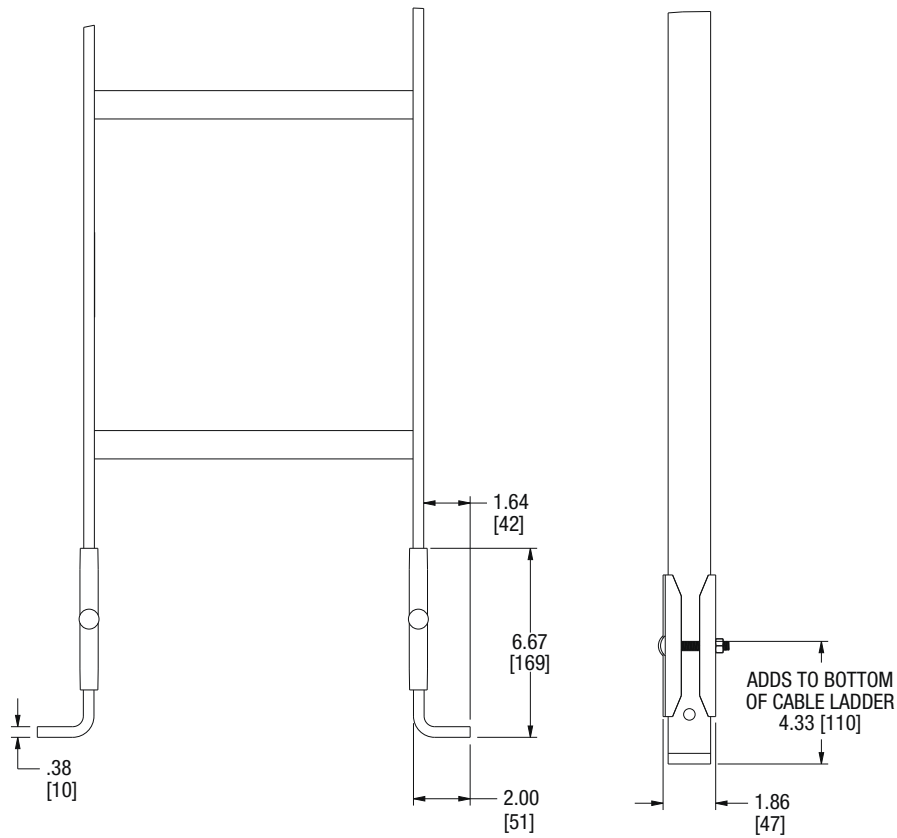
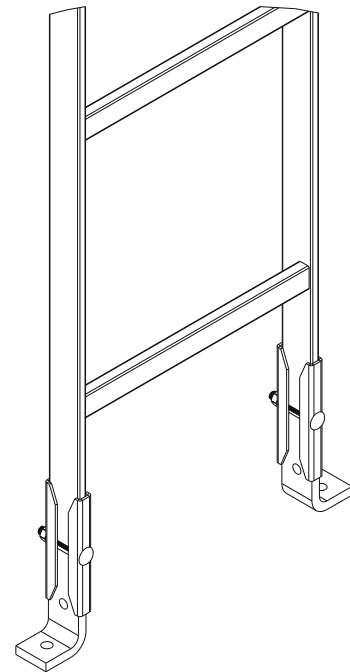
| Part #            | "A" Length          |
|-------------------|---------------------|
| CLB-CSB-ELS-5/7   | 5 [127] - 7 [177]   |
| CLB-CSB-ELS-8/12  | 8 [203] - 12 [304]  |
| CLB-CSB-ELS-13/18 | 13 [330] - 18 [457] |

NOTE:  
DIMENSIONS ARE SHOWN IN INCHES [MM]



# CLB-RES basic dimensions

All dimensions in inches unless otherwise noted [bracketed dimensions are in millimeters unless otherwise noted]



THIS PRODUCT INCLUDES:

- 1. 4-RUNWAY CLAMP BRACKETS
- 2. 2-END SUPPORT BRACKETS
- 3. 2-HEX NUTS 5/15-18
- 4. 2-CARRIAGE BOLTS, 5/16-18X2.25
- 5. 2-SPLIT LOCK WASHERS, .312X.56X.078

