


Middle Atlantic Products

EXCEPTIONAL SUPPORT & PROTECTION™

The Quiet-Cool Series™ Console



EIA/TIA Compliant

SEISMIC CERTIFIED

UL US LISTED

Engineered active thermal management keeps equipment cool

Features

- Fully welded 14-gauge construction (no assembly required)
- Weight capacity of 1,500 lbs.
- Narrow 22" overall width, 27" overall depth
- Engineered thermal management includes baffled air intake and baffled exhaust on rear doors to keep equipment cool
- Gasketed front and rear doors, as well as console base, isolate user from noise created by hard drives, DVRs, etc.
- Available with a 17° or 60° sloped upper tier
- 3 pairs fully-adjustable 11-gauge 10-32 threaded rackrail
- Rackrail marked in numbered rackspace increments
- Brush grommet cable entry above work surface
- 3 point locking rear door standard on console, 2 point locking rear door standard on top monitor rack
- Unique zero-space wedge saves space and includes 3 point locking rear door allowing interior to be used for cable management and power distribution
- 1/2", 3/4", 1" and 1-1/2" electrical knockouts on removable bottom rear plates for cable pass-through
- Available with slide out rotating equipment rack with detachable frame that allows for off-site integration
- Seismic Certified (when used with SC-Z4 option) with an Ip value of 1.5
- Durable textured black powder coat finish
- Base console UL Listed in the US and Canada



QTY	PART #	DESCRIPTION
2	SCQ-1427-1217BK	Quiet-Cool™ Console - Black
1	SCW45-1427-1217BK	45° Wedge - Black
1	SPNQ-1427-1217BK	Pair console side panels - Black
1	WS245-S18-GO	2 bay work surface - 45° corner, oak edge
2	SC-TK	Stainless steel foot-rest

CUSTOMIZABLE SPECIFICATION CLIPS AVAILABLE AT MIDDLEATLANTIC.COM

Architects' and Engineers' Specifications

19" gangable console shall be Middle Atlantic Products model # SCQ-1427-____ BK (1217, 1460) and EIA compliant to standard 310D. Console shall include 2 quiet cooling fans and sound isolation materials. Overall dimensions of console shall be 51.9"H x 22"W x 27"D. Useable height shall be 14 rackspaces on straight face, ____ (12, 14) rackspaces on ____ (17, 60)° sloped tier. Fully welded construction provides a 1,500 lb. weight capacity. Rack shall be constructed of 14-gauge steel, horizontal braces shall be 16-gauge steel, rear door shall be 18-gauge steel, all structural elements shall be phosphate pre-treated and finished in a durable black textured powder coat. Console shall come equipped with 3 pairs of fully adjustable 11-gauge steel rackrail: 14 space on straight face, ____ (12, 14) space on ____ (17, 60)° sloped tier, 22 space in rear; with tapped 10-32 mounting holes in universal EIA spacing with black e-coat finish and numbered rackspaces. The SCQ-1427-____ BK (1217, 1460) shall have a standard solid locking rear door with 3-point latch. Console shall have 2 removable rear knockout panels with 1/2", 3/4", 1", and 1-1/2" electrical knockouts installed in base. Grounding and bonding stud shall be 1/4 - 20 threaded, installed in base. Base console shall be UL Listed in the US and Canada. Quiet-Cool Series™ Consoles shall satisfy the 1997 UBC and 1998 CBC Seismic Zone 4 and the 2000 IBC, 2003 IBC, 2002 ASCE Standard 7, and NFPA 5000 Seismic Use Group III lateral force requirements for protecting 375 lbs. of essential equipment in upper floor installations when used in conjunction with the SC-Z4 seismic floor anchor brackets with an Ip value of 1.5. Base Console shall be GREENGUARD Indoor Air Quality Certified for Children and Schools. Base Console shall be RoHS EU Directive 2002/95/EC compliant. Base Console shall be manufactured by an ISO 9001 and ISO 14001 registered company.

19" gangable console outfitted with rotating sliding rail system shall be Middle Atlantic Products model # SCQ-1427-____ (1217, 1460)BK-S and include all features of standard console. The rotating sliding rail system shall have 11 useable rackspaces, 23" useable depth, rotate 90° for access to equipment connections, have a 200 lb. weight capacity (console bay will have a 1,500 lb. overall weight capacity), and have a detachable frame that allows for off-site integration. SCQ-1427-____ (1217, 1460)BK-S shall have a pre-installed stainless steel foot-rest.

19" gangable top monitor rack for 17° sloped tier consoles shall be Middle Atlantic Products model # SCQ3T-1427-1217-12BK (straight face) and SCQ3T-1427-1217-1217BK (17° sloped face) and EIA compliant to standard 310D. Overall dimensions of top monitor rack console shall be ____"H x 22" W x ____"D (refer to chart). Useable height shall be 12 rackspaces. Fully welded rack shall be constructed of 14-gauge steel, horizontal braces shall be 16-gauge steel, rear door shall be 16-gauge steel, all structural elements shall be phosphate pre-treated and finished in a durable black textured powder coat. Top monitor rack shall come equipped with 2 pairs of fully adjustable 11-gauge steel rackrail with tapped 10-32 mounting holes in universal EIA spacing with black e-coat finish and numbered rackspaces. The top monitor rack shall have a vented locking rear door with 2-point latch. Grounding stud shall be 1/4 - 20 threaded, installed in base. 45° 'Zero-space' Connecting wedge for base module shall be Middle Atlantic Products model # SCW45-1427- 1217BK and SCW45-1427-1460BK (for 60° sloped tier consoles). Fully welded connecting wedge shall be

constructed of 14-gauge steel and include 6 lacing bars for cable management and finished in a durable Black Textured powder coat. The base console connecting wedge shall have a standard locking rear door with 3-point latch.

45° Connecting wedge for top module shall be Middle Atlantic Products model # SC3TW45-1427-1217-1217BK (for connecting sloped face top modules) or SC3TW45-1427-1217-12BK (for connecting straight face top modules). Fully welded connecting wedge shall be constructed of 14-gauge steel and finished in a durable Black Textured powder coat. The connecting wedge shall have an 18-gauge locking rear door with 2-point latch. Work surface shall be available in graphite laminate with beveled oak trim or graphite laminate with black bullnose trim model # WS -S18-G____ (refer to chart). Work surface shall be constructed of 1" thick 45 lb. density industrial MDF board.

Pair of solid locking side panels shall be Middle Atlantic Products model # SPNQ-1427-1217BK (for SCQ-1427-1217BK) SPNQ-1427-1460BK (for SCQ-1427-1460BK), SPNQ3T-1427-1217-12BK (for SCQ3T-1427-1217-12BK), and SPNQ3T-1427-1217-1217BK (for SCQ3T-1427-1217-1217BK) and shall be constructed of 18-gauge steel.

OPTIONS

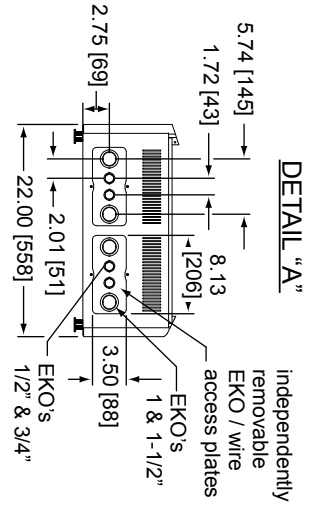
- Additional rackrail shall be Middle Atlantic Products model # SC-RR12 (12 rackspaces) and SC-RR27 (27 rackspaces).
- Seismic compliancy brackets shall be model # SC-Z4
- SC-TK stainless steel foot-rest



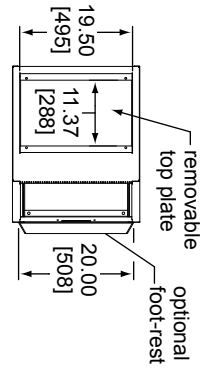
console basic dimensions - 17° slope



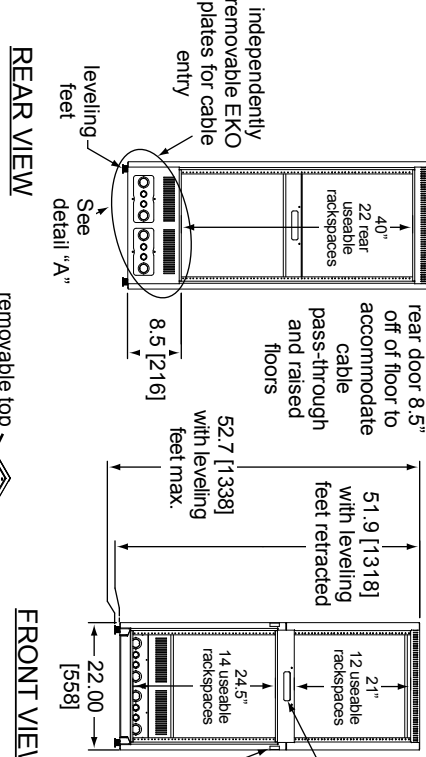
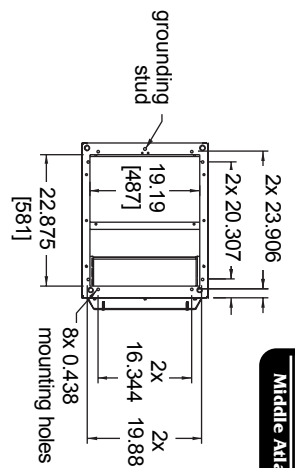
DETAIL "A"



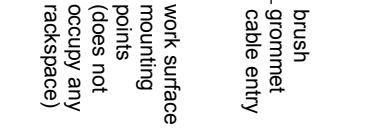
TOP VIEW



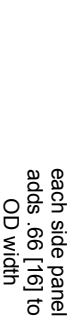
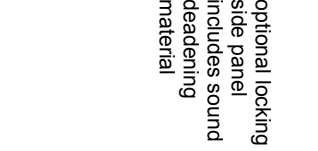
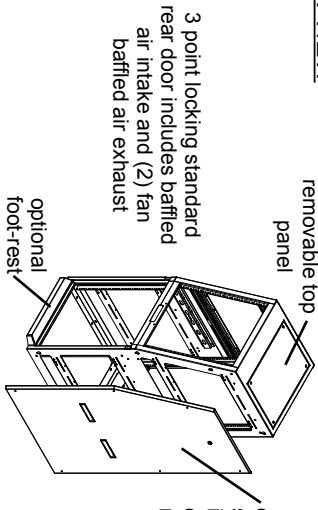
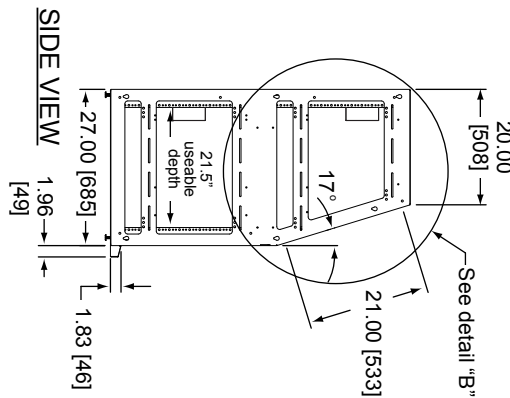
BOTTOM VIEW



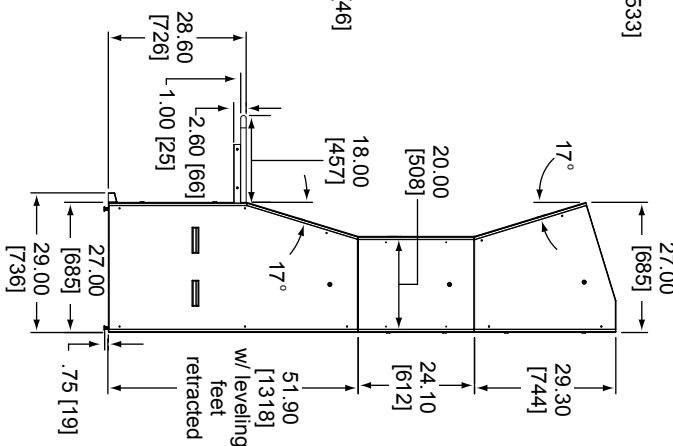
FRONT VIEW



SIDE VIEW



DETAIL "B"



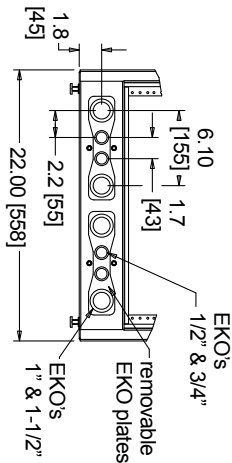
PART #	SLOPED FACE RACKING HEIGHT / RACKSPACES	STRAIGHT FACE RACKING HEIGHT / RACKSPACES	REAR USEABLE RACKING HEIGHT	OVERALL HEIGHT	OVERALL WIDTH	OVERALL DEPTH	USEABLE DEPTH ON STRAIGHT FACE	MIN. USEABLE DEPTH ON SLOPE FACE	MAX. USEABLE DEPTH ON SLOPE FACE
SCQ-1427-1217BK	21" / 12 spaces	24.5" / 14 spaces	38.5" / 22 spaces	51.9"	22"	27"	21.5"	17"	25"

All dimensions in inches unless otherwise noted

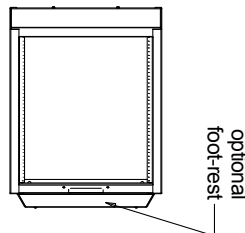
console basic dimensions - 60° slope



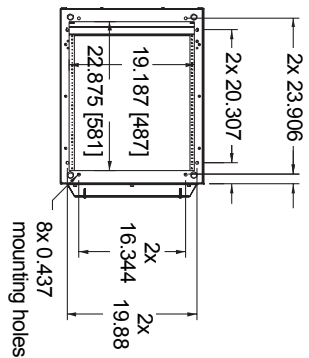
DETAIL A



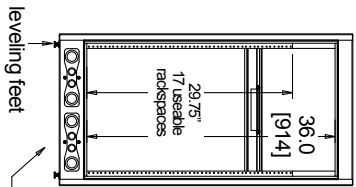
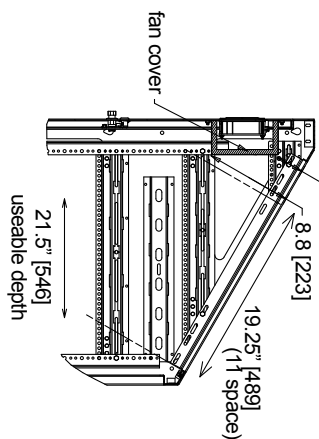
TOP VIEW



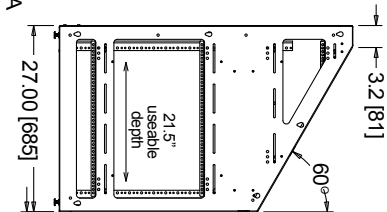
BOTTOM VIEW



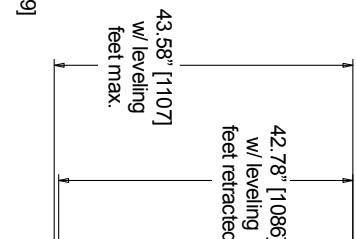
2.9" [73] (max. useable depth in this area)



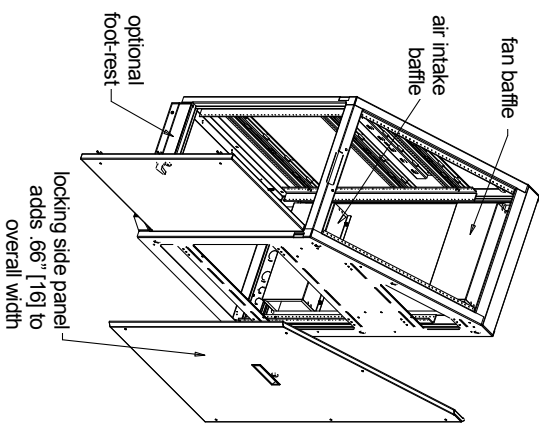
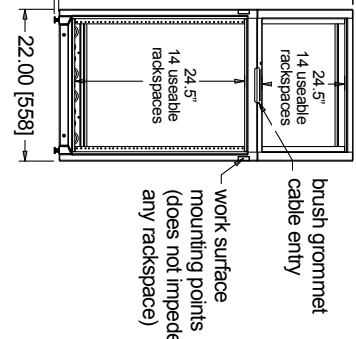
REAR VIEW



SIDE VIEW



FRONT VIEW



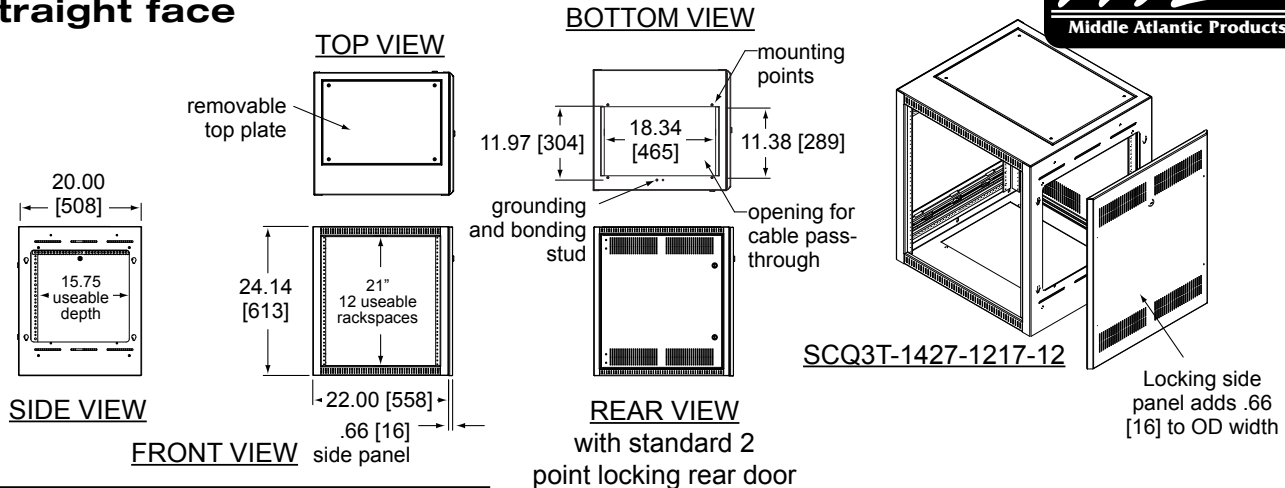
PART #	SLOPED FACE RACKING HEIGHT / RACKSPACES	STRAIGHT FACE RACKING HEIGHT / RACKSPACES	REAR USEABLE RACKING HEIGHT	OVERALL HEIGHT	OVERALL WIDTH	OVERALL DEPTH	USEABLE DEPTH ON STRAIGHT FACE
SCQ-1421-1460RK	24.5" / 14 spaces	24.5" / 14 spaces	29.75" / 17 spaces	42.78"	22"	21"	21.5"

All dimensions in inches unless otherwise noted

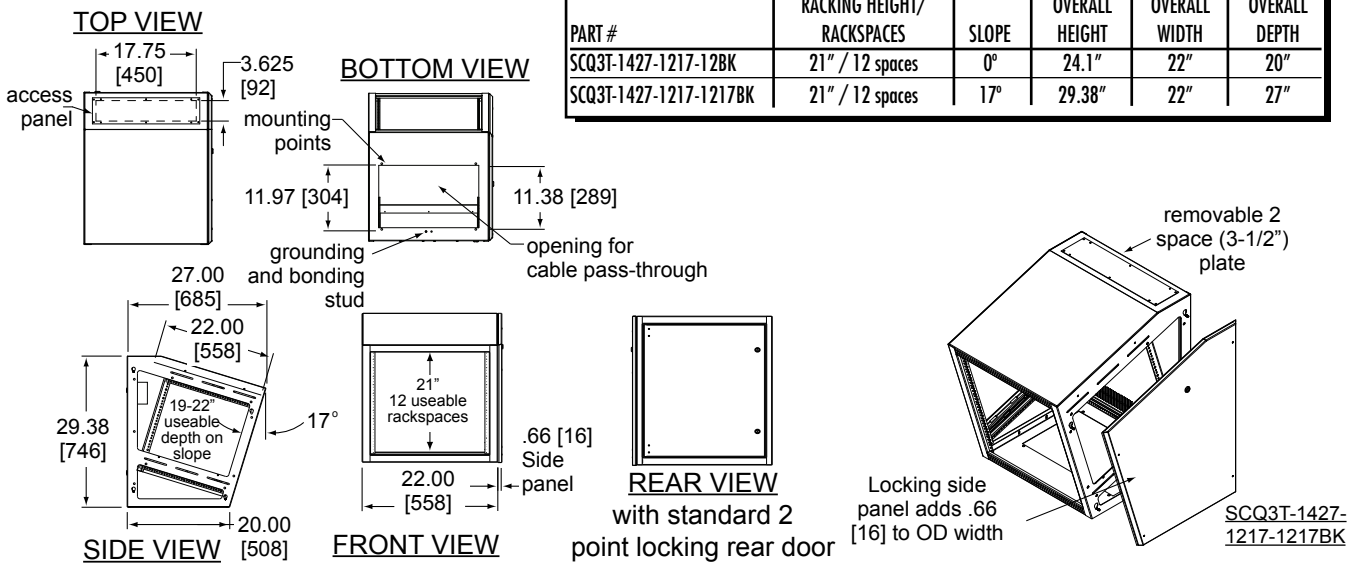
17° slope console top monitor rack and connecting wedge basic dimensions



straight face

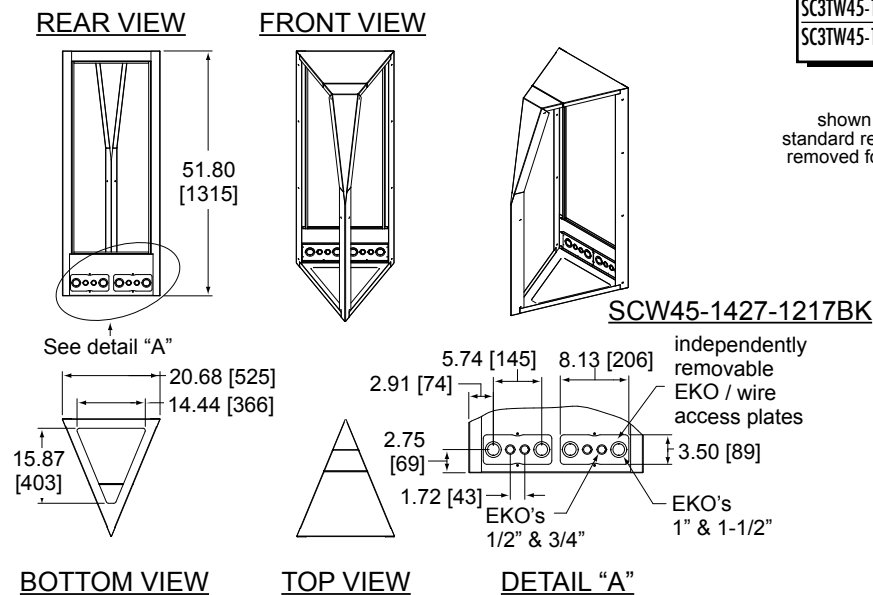


sloped face

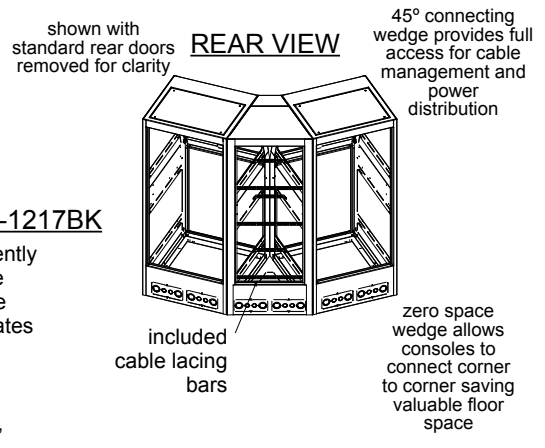


PART #	RACKING HEIGHT/ RACKSPACES	SLOPE	OVERALL HEIGHT	OVERALL WIDTH	OVERALL DEPTH
SCQ3T-1427-1217-12BK	21" / 12 spaces	0°	24.1"	22"	20"
SCQ3T-1427-1217-1217BK	21" / 12 spaces	17°	29.38"	22"	27"

45° connecting wedge

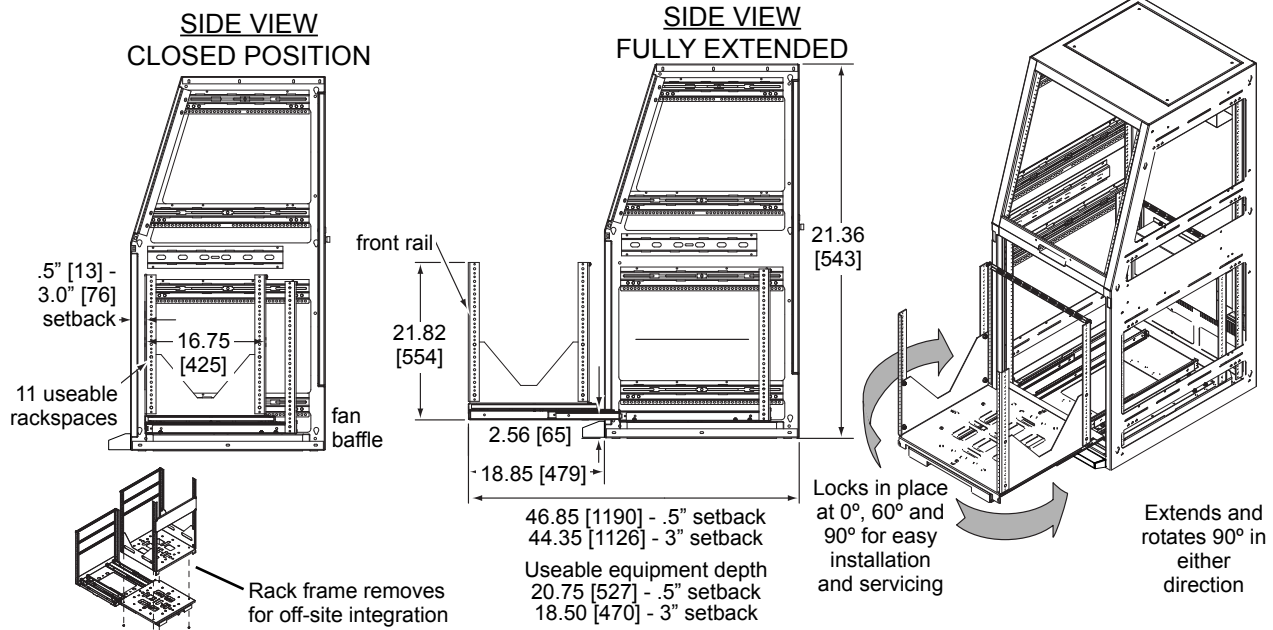


PART #	CONNECTS
SCW45-1427-1217BK	SCQ-1427-1217BK
SC3TW45-1427-1217-12BK	SCQ3T-1427-1217-12BK
SC3TW45-1427-1217-1217BK	SCQ3T-1427-1217-1217BK



All dimensions in inches unless otherwise noted

rotating slide out rack and work surface basic dimensions



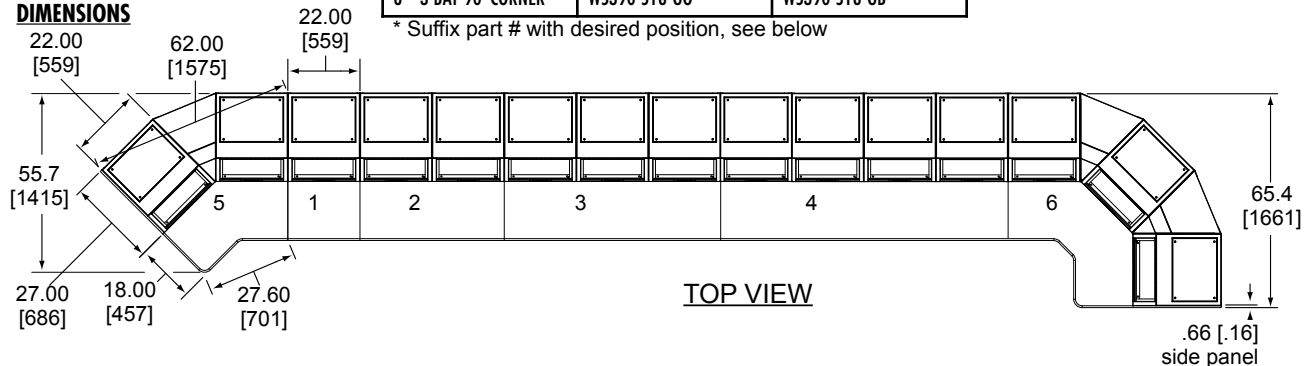
PART #	BOTTOM BAY RACKING HEIGHT	TOP BAY RACKING HEIGHT	OD HEIGHT	USEABLE DEPTH	OD DEPTH	OD WIDTH
SCQ-1427-1217BKS	19-1/4" (11 space)	21" (12 space)	51-7/8"	23"	27"	22"
SCQ-1427-1460BKS	19-1/4" (11 space)	24-1/2" (14 space)	42-3/4"	23"	27"	22"

WORK SURFACES

DESCRIPTION	BEVELED OAK TRIM	BLACK T-MOLD TRIM
1 SINGLE BAY	WS1-S18-GO *	WS1-S18-GB *
2 TWO BAY STRAIGHT	WS2-S18-GO *	WS2-S18-GB *
3 THREE BAY STRAIGHT	WS3-S18-GO *	WS3-S18-GB *
4 FOUR BAY STRAIGHT	WS4-S18-GO *	WS4-S18-GB *
5 2 BAY 45° CORNER	WS245-S18-GO *	WS245-S18-GB *
6 3 BAY 90° CORNER	WS390-S18-GO *	WS390-S18-GB *

* Suffix part # with desired position, see below

DIMENSIONS



FINISH / POSITION



F = FINISHED ALL SIDES

L = RADIUS EDGE LEFT (RIGHT SIDE UNFINISHED)

C = CENTER (LEFT AND RIGHT UNFINISHED)

R = RADIUS EDGE RIGHT (LEFT SIDE UNFINISHED)



All dimensions in inches unless otherwise noted