

DRAWING NO.
SE209240

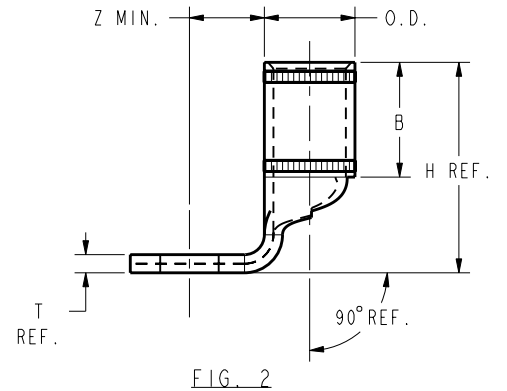
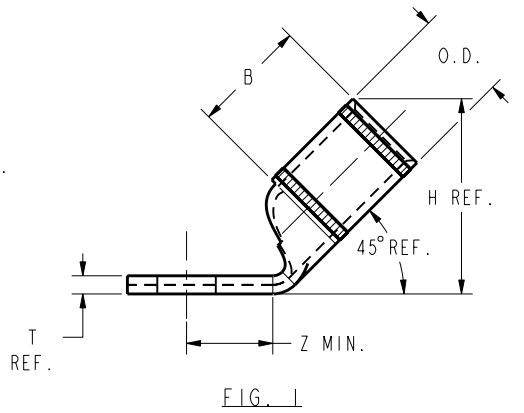
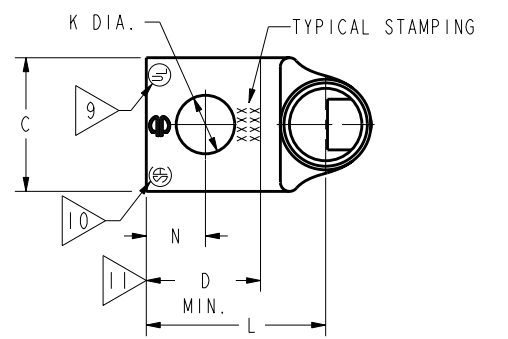
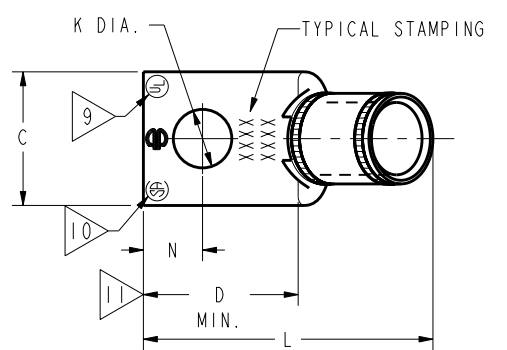
CATALOG NUMBER	STRANDED COPPER CONDUCTOR ACCOMMODATED			BOLT SIZE	METRIC BOLT SIZE	FIG. NO.	DIMENSIONS									
	CODE (AWG)	NAVY	METRIC SIZE (CLASS 2)				B	C	H REF.	K DIA.	L	N	O.D.	T REF.	Z MIN.	
YA26L245	2/0 AWG	125	70mm ² STR [11]	1/4	M6	1	.94 [24]	.83 [21]	1.38 [35]	.27 [7]	1.78 [45]	.25 [6]	.56 [14]	.12 [3]	.33 [8]	
2						↑	↑	1.56 [40]	.27 [7]	.96 [24]	.25 [6]	↑	↑	.33 [8]		
YA26L345				5/16	-----	1	↑	↑	1.38 [35]	.33 [8]	1.91 [49]	.34 [9]	↑	↑	.36 [9]	
2						↑	↑	1.56 [40]	.33 [8]	1.09 [28]	.34 [9]	↑	↑	.36 [9]		
YA26L45				3/8	-----	1	1	↓	↓	1.38 [35]	.40 [10]	2.03 [52]	.41 [10]	↓	↓	.42 [11]
2							↓	↓	1.56 [40]	.40 [10]	1.21 [31]	.41 [10]	↓	↓	.42 [11]	

REV	DATE	DESCRIPTION	ECO	BY	C'H'K.
B	11/04/2011 09:30:00 AM	UPDATED TOOLING DETAILS AS PER MU	25809	BT	MA

CONNECTOR SIZE	TOLERANCES					
	B	C	K DIA.	L	N	O.D.
-8C THRU -25	±.06	±.04	±.02	±.09	±.03	±.01
-26 THRU -34	±.08	±.04	±.02	±.12	±.03	±.01
-35 AND UP	±.09	±.06	±.02	±.15	±.06	±.01

TOLERANCE BLOCK

CATALOG NO.	COLOR CODE	DIE INFORMATION		MECHANICAL RATCHET				HYDRAULIC					DIELESS (# CRIMPS)	WIRE STRIP LENGTH		
		DIE INDEX	TYPE	6 YIMRTC	OUR840	MD6 MD7	MD6--R2 MD7-34R	PATMD6 PAT600	8 Y34A Y34B Y34BH	5 Y35, Y39 Y750, PAT750	5 4 Y46 PAT46	5 3 Y45			Y48B	Y60BHU
YA26L45	BLACK	13	BLACK DIE SET	-----	X26RT(2)	X26RT(2) W26RT(2) W26VT(2)	X26RT(2) W26RT(2) W26VT(2)	X26RT(2) W26RT(2) W26VT(2)	-----	U26RT(1)	U26RT(1)	U26RT(1)	-----	-----	MECHANICAL: MY29-3(1) MY29-11(1) MRC840(2) HYDRAULIC: Y644(1) Y81KFT(1) Y4PC834(1)	1"
YA26L90			NEST INDENTOR	-----	-----	-----	-----	-----	B26D(1) A26D(1) Y34PR	U26D-1(1) Y34PR	U26D-1(1) Y34PR	U26D-1(1) Y34PR	-----	-----		



NOTES:

- MATERIAL : COPPER TUBING.
- FINISH: ELECTRO-TIN PLATED.
- CATALOG # PT6515 ADAPTOR IS REQUIRED TO USE "U" DIES IN Y45 SERIES TOOLS.
- CATALOG # PUADP-1 ADAPTOR IS REQUIRED TO USE "U" DIES IN Y46 SERIES TOOLS.
- Y35P3 INDENTOR ADAPTOR REQUIRED FOR Y34PR INDENTOR.
- PERMANENT DIE IN TOOLING.
- DIMENSIONS IN BRACKETS [] ARE IN MILLIMETERS ROUNDED OFF TO THE NEAREST MILLIMETER, UNLESS OTHERWISE NOTED, AND ARE FOR REFERENCE ONLY.
- FOR USE BY CUSTOMERS THAT HAVE THIS HYPRESS™. NO NEW Y34A HYPRESS™ TOOLS ARE BEING PROCESSED. Y34A USES A--D NEST DIES ONLY.
- CONNECTORS ARE UL LISTED; UNDRILLED VERSIONS ARE NOT UL LISTED.
- CONNECTORS ARE CSA CERTIFIED; UNDRILLED VERSIONS ARE NOT CSA CERTIFIED.
- FOR UNDRILLED VERSIONS ADD SUFFIX "-U" TO END OF CATALOG NUMBER. FOR UNDRILLED VERSIONS, USE D MIN. = N MAX. + Z MIN.
- "X", "W-RT", "W-VT", "U", & "L" DIE SETS ARE COLOR CODED. "A", "B", AND "C" DIES ARE NOT COLOR CODED. NESTS AND INDENTOR TYPE ARE NOT COLOR CODED.

TO ORDER BURNDY® PRODUCTS CALL		COPPER HYLUG™	
UNITED STATES 1-800-346-4175 (LONDONDERRY, NH)		ITEM NO: N/A	SCALE: 1:1
CANADA: 1-800-361-6975 (QUEBEC) 1-800-387-6487 (ALL OTHER PROVINCES)		CAT. NO: YA26-L-- (TABLE)	REV: B
FOR PRODUCT INFO: http://www.burndy.com		DRAWN BY: J MICHAUD 12/08/94	BURNDY
		CHECKER: D FELLION 12/08/94	
		DSN APPVL: C PALAGI 12/08/94	
		MFG APPVL: -- --	
		QA APPVL: C ACKERMAN 12/23/94	
		MKT APPVL: T NELSON 12/15/94	
		PROJ #: --	
		DOCUMENT TYPE: Sales	
		REL LEVEL: Released	

REV: PE0200