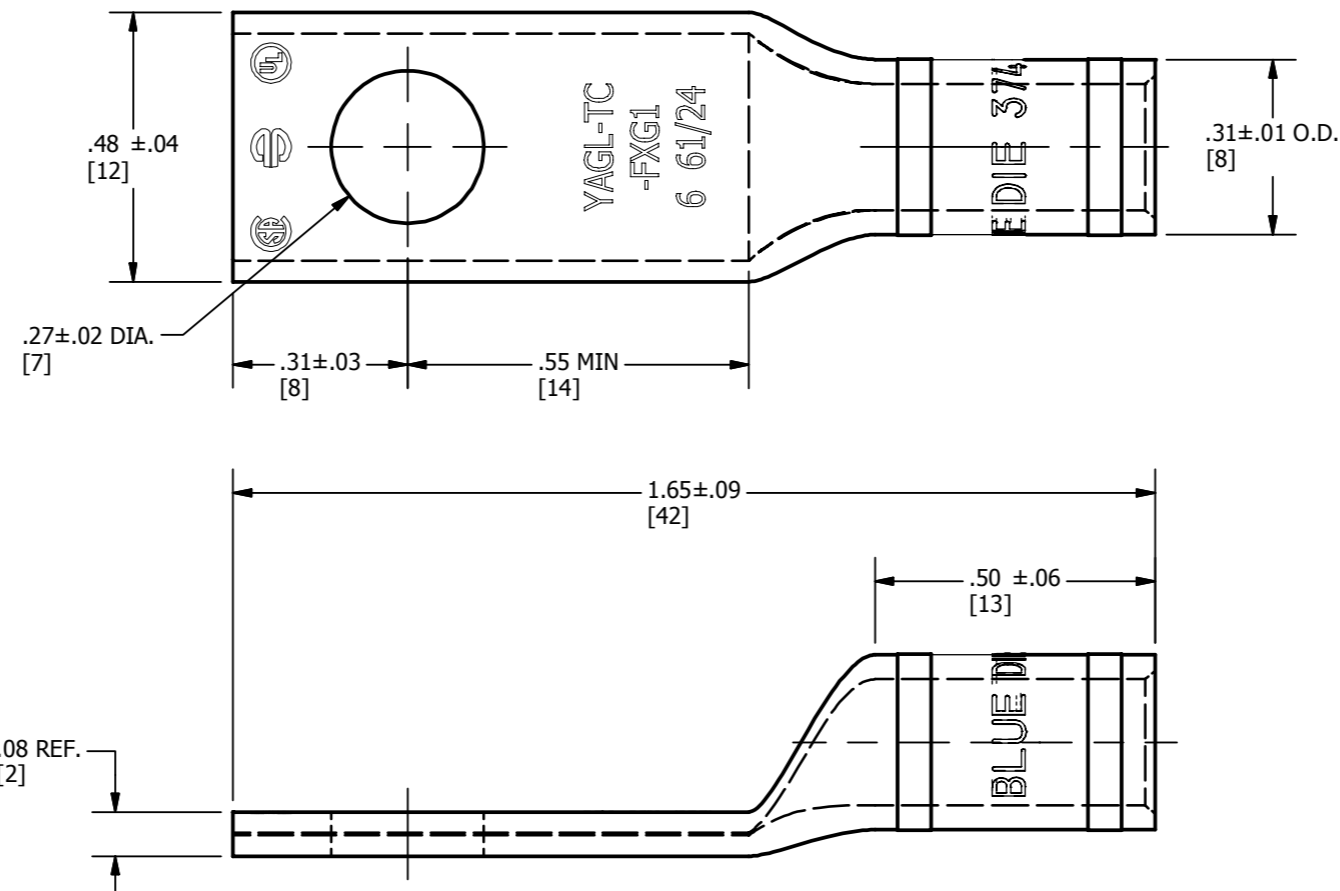


CONDUCTOR			BOLT SIZE	INSTALLATION TOOLING (# CRIMPS)									WIRE STRIP LENGTH	REV	DATE	DESCRIPTION	ECO	BY	C'HK.
FLEX	CODE (AWG)	NAVY		DIE INDEX	COLOR CODE	MECHANICAL			HYDRAULIC			DIELESS (# OF CRIMPS)		A	08/22/2014	NEW DRAWING CREATED	34680	AD	BSB
						MD6-34R	OUR840	Y1MRTC	PATMD6, Y500CTHS, PAT600	Y750HS, Y35, Y39	Y46								
#6 FLEX CLASS G, H, I, K, M DOL(61/24)	#6 AWG	30	1/4 [M6]	7 OR 374	BLUE	W5CRT (1) X5CRT (1) W5CVT (1)	X5CRT (1) W5CVT (1)	1 CRIMPS	W6CRT (1) X6CRT (1) W6CVT (1)	U5CRT (1)	U5CRT (1)	U5CRT (1)	HYDRAULIC: Y644 (1) Y81KFT(1) Y4PC834 (1)						



NOTES:

1. MATERIAL: COPPER TUBING.
2. FINISH: TIN PLATED.
3. CATALOG # PT6515 ADAPTOR IS REQUIRED TO USE "U" DIES IN Y45 SERIES TOOLS.
4. CATALOG # PUADP-1 ADAPTOR IS REQUIRED TO USE "U" DIES IN Y46 SERIES TOOLS.
5. PERMANENT DIE IN TOOLING.
6. DIMENSIONS IN BRACKETS [ ] ARE IN MILLIMETERS ROUNDED OFF TO THE NEAREST MILLIMETER, UNLESS OTHERWISE SPECIFIED AND ARE FOR REFERENCE ONLY.

TO ORDER BURNDY PRODUCTS CALL		HYLUG™	
UNITED STATES 1-800-346-4175 (LONDONDERRY, NH)		ITEM NO: 10063813	CAT. NO: YAG6CLTC14FXG1
CANADA: 1-800-361-6975 (QUEBEC) 1-800-387-6487 (ALL OTHER PROVINCES)		DRAWN BY: S.AUGUSTIN 08/22/2014	CHECKER: J.MICHAUD 08/26/2014
FOR PRODUCT INFO: <a href="http://www.burndy.com">http://www.burndy.com</a>		DSN APRVL: J.MICHAUD 08/26/2014	MFG APRVL: J.PASSARELLI 08/26/2014
		QA APRVL: T.WATTS 08/26/2014	MKT APRVL: K.BOUTIN 08/29/2014
PROJ #:	SIZE:	DRAWING NO:	REV:
DOCUMENT TYPE: SALES	B	50049596	A
REL LEVEL: Released		SHEET 1 OF 1	