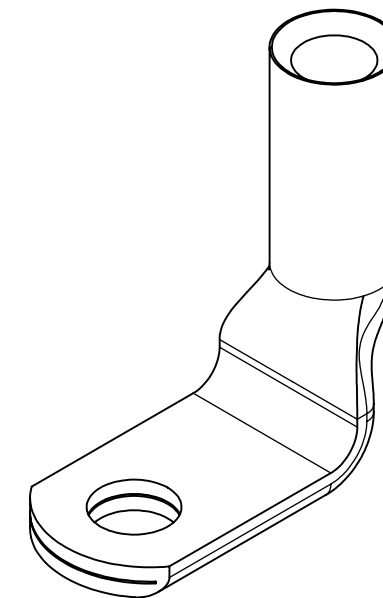
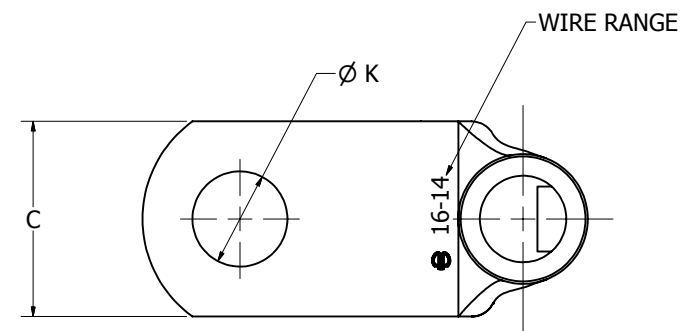
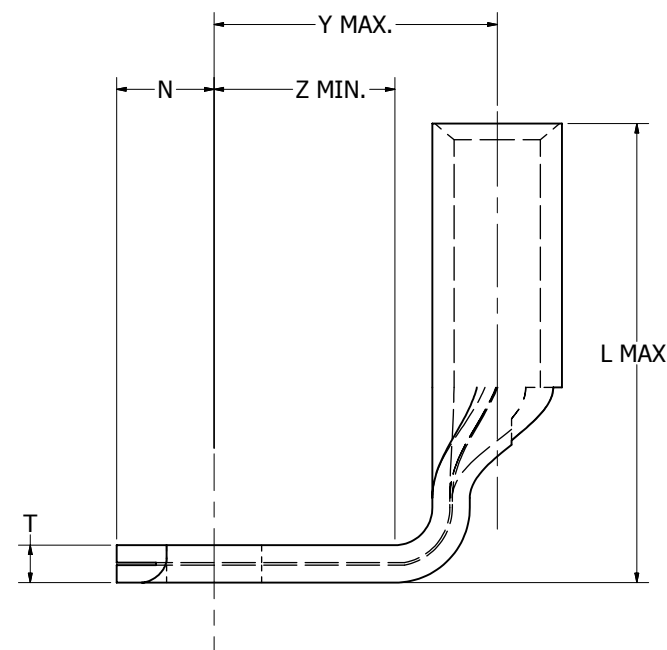


REV	DATE	DESCRIPTION	ECO	BY	C'H'K.
A	11/02/2018	NEW DRAWING CREATION	50208	YR	VS

WIRE SIZE (AWG), AN Aircraft	STUD SIZE	CATALOG NUMBER	C		K		L MAX.	N		T ±.01 [±.25]	Y MAX.	Z MIN.	WIRE STRIP LENGTH ±.03 [±.8]	DIE INDEX	
			MAX.	MIN.	MAX.	MIN.		MAX.	MIN.						
8 Str.	10	YAV8CRS	.44 [11.2]	.38 [9.7]	.23 [5.8]	.19 [4.8]	1.02 [25.8]	.22 [5.6]	.18 [4.6]	.08 [2.0]	.62 [15.7]	.25 [6.4]	7/16" [11.1]	38	
	1/4	YAV8CRS1			.28 [7.1]	.26 [6.6]		.27 [6.9]	.23 [5.8]		.65 [16.5]	.28 [7.1]			
	3/8	YAV8CRS3			.40 [10.2]	.38 [9.7]		.33 [8.4]	.29 [7.4]		.06 [1.5]	.71 [18.1]			.34 [8.7]
6 Str.	10	YAV6CRS1	.53 [13.5]	.47 [11.9]	.23 [5.8]	.19 [4.8]	1.04 [26.4]	.27 [6.9]	.23 [5.8]	.07 [1.8]	.67 [17.0]	.28 [7.1]	1/2" [12.7]	39	
	1/4	YAV6CRS			.28 [7.1]	.26 [6.6]		.33 [8.4]	.29 [7.4]		.06 [1.5]	.73 [18.6]			.34 [8.7]
	5/16	YAV6CRS4			.34 [8.6]	.32 [8.1]		.40 [10.2]	.38 [9.7]		.08 [2.0]	.77 [19.6]			.34 [8.7]
	3/8	YAV6CRS2													
4 Str.	10	YAV4CRS3	.56 [14.2]	.50 [12.7]	.23 [5.8]	.19 [4.8]	1.06 [26.9]	.27 [6.9]	.23 [5.8]	.09 [2.3]	.70 [17.7]	.28 [7.1]	40		
	1/4	YAV4CRS			.28 [7.1]	.26 [6.6]		.40 [10.2]	.38 [9.7]		.08 [2.0]	.77 [19.6]		.34 [8.7]	
	5/16	YAV4CRS4			.34 [8.6]	.32 [8.1]									
	3/8	YAV4CRS2													
2 Str.	1/4	YAV2CRS1	.71 [18.0]	.65 [16.5]	.28 [7.1]	.26 [6.6]	1.29 [32.8]	.35 [8.9]	.31 [7.9]	.10 [2.5]	.82 [20.9]	.34 [8.7]	5/8" [15.9]	41	
	5/16	YAV2CRS2			.34 [8.6]	.32 [8.1]		.40 [10.2]	.38 [9.7]		.09 [2.3]	.95 [24.1]			.47 [11.9]
	3/8	YAV2CRS													
	7/16	YAV2CRS4			.46 [11.8]	.45 [11.4]									



NOTES:

1. TERMINAL: TIN PLATED COPPER
2. DIMENSIONS IN BRACKETS [] ARE IN MILLIMETERS AND ARE FOR REFERENCE ONLY.
3. UL LISTED WIRE CONNECTORS PER UL486A/B (FILE E9498) REQUIREMENTS
4. MEETS REQUIREMENTS OF SAE-AS7928 (MAIN OFFICE CAGE CODE NUMBER: 1NJK8)

TO ORDER BURNDY® PRODUCTS CALL

UNITED STATES
1-800-346-4175 (LONDONDERRY, NH)

CANADA:
1-800-361-6975 (QUEBEC)
1-800-387-6487 (ALL OTHER PROVINCES)

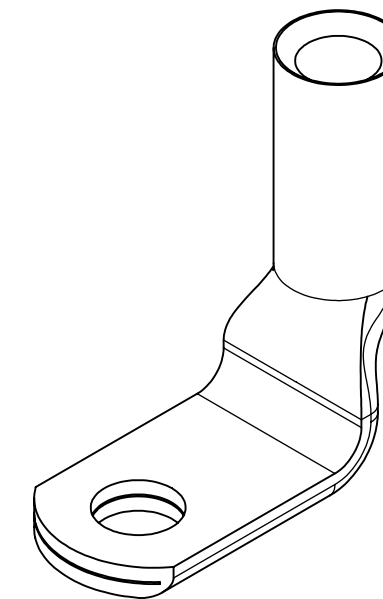
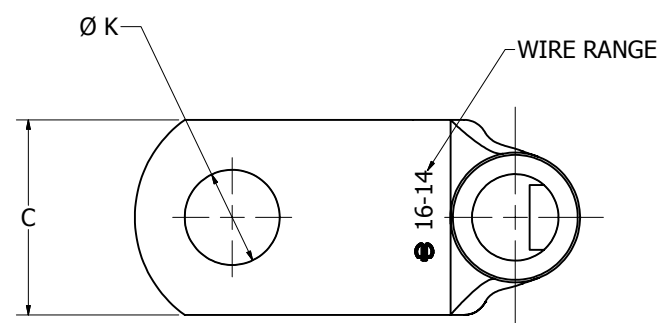
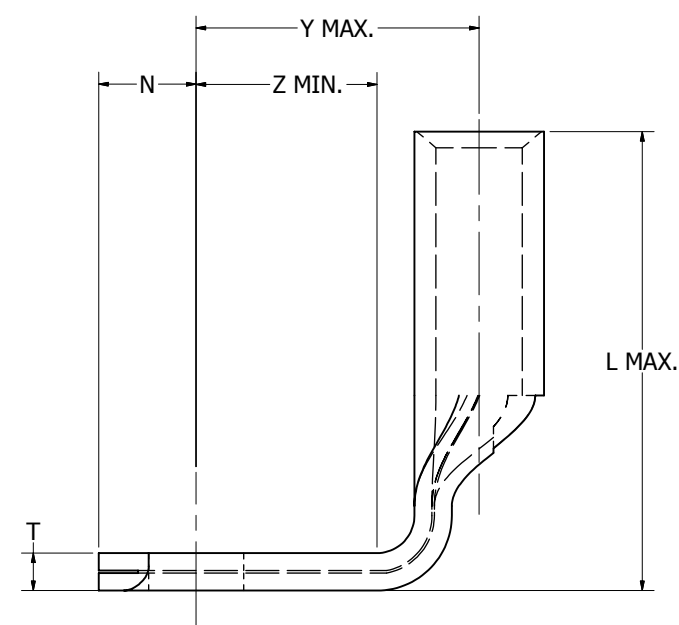
FOR PRODUCT INFO: <http://www.burndy.com>

HYLUG

ITEM NO: SEE TABLE		DRAWING NO		REV
CAT. NO: YAV- RS		50094166		A
DRAWN BY: R.YOGARAJ	02-11-2018			
CHECKER: V.SAKTHIVEL	02-11-2018			
DSN APRVL: K.CASTONGUAY	17-11-2018			
MFG APRVL: --	--			
QA APRVL: B.POST	05-11-2018	SHEET 1 OF 2		
MKT APRVL: M.BAILLY	07-11-2018			
PROD FAM: --	--			
PROJECT #: --	--			
DOCUMENT TYPE: SALES	SIZE			
REL LEVEL: Released	D			

REV	DATE	DESCRIPTION	ECO	BY	C'H'K.
A	11/02/2018	NEW DRAWING CREATION	50208	YR	VS

WIRE SIZE (AWG), AN Aircraft	STUD SIZE	CATALOG NUMBER	C		K		L MAX.	N		T ±.01 [±.25]	Y MAX.	Z MIN.	WIRE STRIP LENGTH ±.03 [±.8]	DIE INDEX
			MAX.	MIN.	MAX.	MIN.		MAX.	MIN.					
1 Str.	1/4	YAV1CRS1	.76 [19.3]	.70 [17.8]	.28 [7.1]	.26 [6.6]	1.37 [34.8]	.35 [8.9]	.31 [7.9]	.12 [3.0]	.88 [22.4]	.34 [8.7]	5/8" [15.9]	42
	5/16	YAV1CRS2			.34 [8.6]	.32 [8.1]								
	3/8	YAV1CRS			.40 [10.2]	.38 [9.7]								
1/0 Str.	1/4	YAV25RS1	.84 [21.3]	.78 [19.8]	.28 [7.1]	.26 [6.6]	1.53 [38.7]	.41 [10.4]	.37 [9.4]	.11 [2.8]	1.01 [25.7]	.44 [11.1]	11/16" [17.5]	43
	5/16	YAV25RS2			.34 [8.6]	.32 [8.1]								
	3/8	YAV25RS			.40 [10.2]	.38 [9.7]								
	1/2	YAV25RS3			.54 [13.7]	.51 [13.0]								
	5/8	YAV25RS4			.67 [16.9]	.65 [16.5]								
2/0 Str.	5/16	YAV26RS2	.95 [24.1]	.89 [22.6]	.34 [8.6]	.32 [8.1]	1.65 [41.8]	.41 [10.4]	.37 [9.4]	.12 [3.0]	1.00 [25.4]	.47 [11.9]	13/16" [20.6]	44
	3/8	YAV26RS			.40 [10.2]	.38 [9.7]								
	1/2	YAV26RS3			.54 [13.7]	.51 [13.0]								
3/0 Str.	3/8	YAV27RS	1.05 [26.7]	.99 [25.1]	.40 [10.2]	.38 [9.7]	1.67 [42.4]	.50 [12.7]	.46 [11.7]	.14 [3.6]	1.12 [28.4]	.47 [11.9]	7/8" [22.2]	45
	1/2	YAV27RS1			.54 [13.7]	.51 [13.0]								
4/0 Str.	3/8	YAV28RS	1.15 [29.2]	1.09 [27.7]	.40 [10.2]	.38 [9.7]	1.81 [46.0]	.50 [12.7]	.46 [11.7]	.14 [3.6]	1.15 [29.2]	.47 [11.9]	7/8" [22.2]	46
	1/2	YAV28RS12			.54 [13.7]	.51 [13.0]								



NOTES:

1. TERMINAL: TIN PLATED COPPER
2. DIMENSIONS IN BRACKETS [] ARE IN MILLIMETERS AND ARE FOR REFERENCE ONLY.
3. UL LISTED WIRE CONNECTORS PER UL486A/B (FILE E9498) REQUIREMENTS
4. MEETS REQUIREMENTS OF SAE-AS7928 (MAIN OFFICE CAGE CODE NUMBER: 1NJK8)

TO ORDER BURNDY® PRODUCTS CALL

UNITED STATES
1-800-346-4175 (LONDONDERRY, NH)

CANADA:
1-800-361-6975 (QUEBEC)
1-800-387-6487 (ALL OTHER PROVINCES)

FOR PRODUCT INFO: <http://www.burndy.com>

HYLUG

ITEM NO: SEE TABLE		DRAWING NO		REV
CAT. NO: YAV- RS		50094166		A
DRAWN BY: R.YOGARAJ	02-11-2018			
CHECKER: V.SAKTHIVEL	02-11-2018			
DSN APRVL: K.CASTONGUAY	17-11-2018	PROJECT #:		
MFG APRVL: --	--	DOCUMENT TYPE: SALES		
QA APRVL: B.POST	05-11-2018	REL LEVEL: Released		
MKT APRVL: M.BAILLY	07-11-2018	SIZE: D		
PROD FAM: --	--	SHEET 2 OF 2		