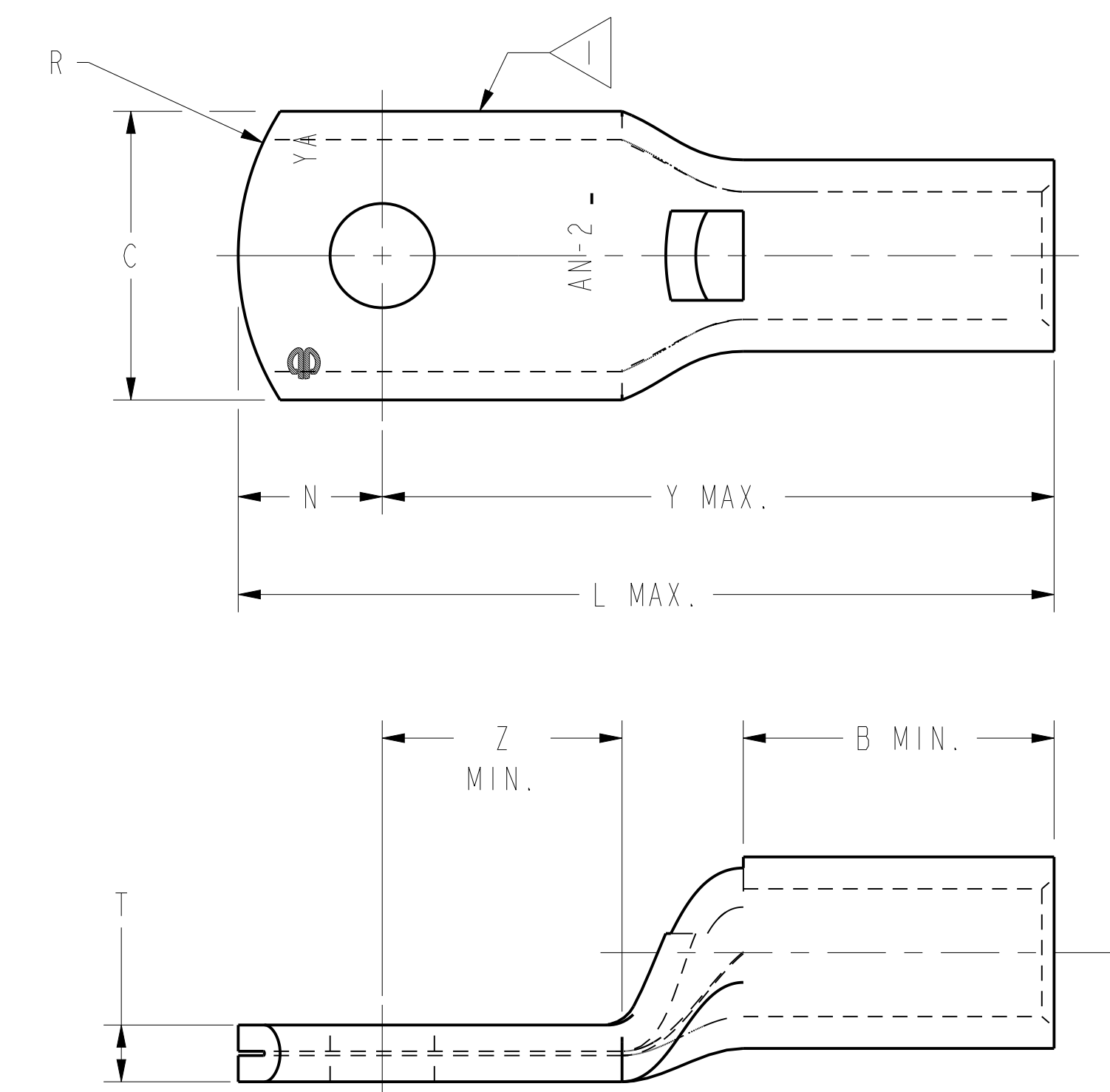


COPPER AIRCRAFT CABLE MIL-W-5036	MS20659 DASH NO.	STUD SIZE	CATALOG NUMBER	C	N	Z MIN.	Y MAX.	L MAX.	T	B MIN.	R REF.	INSTALLATION TOOLING					
												NON - HYDRAULIC			HYDRAULIC		
			NON - RATCHET		RATCHET	PNEUMATIC		Y29B, Y29NC		Y35, Y35BH, Y39, Y39BH, Y750, Y750BH							
AN 12 - 10	5	8	YAV10T11	.38	.19	.26	.78	.97	.06	.40	.25	Y10D, Y10-22	Y10MRPA WITH J1022NC5 DIE MR8G98, MR89Q, Y8MRB1, MR20	Y6NCB OR Y6NCP WITH J1022NC5 DIE	---	---	
		102	YAV10														
		1/4	YAV10T3	.47	.23	.34	.85	1.09	.05	.39	.31						
		5/16	YAV10T2	.53	.27		.86	1.13	.04	.39							
AN-8	5	6	YAV8CL15	.41	.20	.28	.94	1.15	.07	.38	.38	MY29-11	MR4C, MR89Q, Y8MRB1, M8ND WITH N8CT DIE	Y6NCB OR Y6NCP WITH Y2CNC NEST AND J8CNC INDENTOR DIES	DV8LI NEST Y29PL INDENTOR (1) CRIMP	UV8L NEST Y34PL INDENTOR (1) CRIMP	
		140	YAV8CL14														
		10	YAV8CL22		.17	.25	.91	1.09									
		107	YAV8CL		.20	.28	.94	1.15									
		10-5MM	YAV8CL31		.20	.25	.91	1.12									
		1/4	YAV8CL1	.46	.23	.32	.98	1.22	.07								
		5/16	YAV8CL2	.57	.28	.34	1.01	1.30	.05	.41	.69						
		108	YAV8CL2														
		3/8	YAV8CL3		.31	.51	1.18	1.49									
		3/8-10MM	YAV8CL32		.28	.34	1.01	1.30									
		1/2	YAV8CL4	.73	.38	.48	1.14	1.52									
		5/8	YAV8CL39	.83	.50	.62	1.29	1.79	.04	.75							
		12	YAV8CL86	.41	.20	.26	.93	1.13	.07	.38							
		1/4	YAV8CL1B	.46	.23	.32	.99	1.22	.07	.38							
	1/4	YAV8CL1BOX500	.46														
	10	YAV8CLBOX500	.41	.20	.28	.94	1.15	.07									
AN-6	5	10	YAV6CL1	.48	.24	.29	1.06	1.31	.07	.47	.69	MY28 MY29-11	MR4C	Y6NCB OR Y6NCP WITH Y2CNC NEST AND J6CNC INDENTOR DIES	DV6L NEST Y29PL INDENTOR (1) CRIMP	UV6L NEST Y34PLA INDENTOR (1) CRIMP	
		130	YAV6CL12	.50	.25	.34	1.11	1.37	.07								
		10-5MM	YAV6CL25	.48	.24	.29	1.06	1.31	.07								
		109	YAV6CL	.50	.25	.63	1.40	1.65	.07								
		1/4	YAV6CL21														
		5/16	YAV6CL4	.60	.30	.35	1.13	1.43	.06								
		110	YAV6CL2														
		3/8	YAV6CL22		.48	1.26	1.56										
		3/8-10MM	YAV6CL23	.69	.44	.45	1.23	1.67	.05								
		1/2	YAV6CL10	.74	.38	.49	1.26	1.64	.06								
	10	YAV6CL19BOX	.44	.24	.29	1.06	1.31	.69	.38								
	1/4	YAV6CLBOX500	.50														
AN-4	5	10	YAV4CL3	.55	.25	.28	1.11	1.37	.08	.47	.38	MY28 MY29-11	MR4C	---	DV4L NEST Y29PL INDENTOR (1) CRIMP	UV4L NEST Y34PLA INDENTOR (1) CRIMP	
		10-5MM	YAV4CL21														
		111	YAV4CL		.25			1.37									
		1/4	YAV4CL30	.28	.35	1.18	1.46	.08									
		1/4	YAV4CL31														.28
		5/16	YAV4CL4	.63	.31	.33	1.17	1.48	.07								
		112	YAV4CL2														
	3/8	YAV4CL17		.33	1.17	1.48											
	3/8-10MM	YAV4CL22		.33	1.17	1.48											
	1/2	YAV4CL5	.73	.38	.47	1.30	1.68	.06	.69								



- NOTES:
1. DUE TO METHODS OF MANUFACTURING, SERRATIONS APPEAR ON TONGUE.
  2. MATERIAL: COPPER TUBING
  3. STANDARD FINISH: TIN PLATED  
ALTERNATE PLATING OPTIONS: ADD SUFFIX TO DENOTE DIFFERENT PLATING REQUIREMENTS.  
NK = NICKEL PLATING  
W = HOT TIN DIP.  
SV = MATTE SILVER PLATING  
BR = BARE (UNPLATED)  
LD = LEAD PLATING
  4. ALL ITEMS ARE LISTED BY UNDERWRITERS LABS PER CONTROL NUMBER 670-B, FILE NUMBER E9498, WHITE CARD.
  5. ADD "B" SUFFIX FOR BELLED BARREL. BELLED VERSIONS OF THESE HYLUGS™ DONT'T CONFORM TO THE MS20659 DASH NO.

CAT. NO. YAV6C-L10B  
SUPERSEDES: SA16635

TO ORDER BURNDY® PRODUCTS CALL		HYLUG™	
UNITED STATES 1-800-346-4175 (LONDONDERRY, NH)		ITEM NO: N/A	SCALE: 3:1
CANADA: 1-800-361-6975 (QUEBEC) 1-800-387-6487 (ALL OTHER PROVINCES)		CAT. NO: YAVL (SEE TABLE)	REV
FOR PRODUCT INFO: <a href="http://www.burndy.com">http://www.burndy.com</a>		DRAWN BY: ESK 02-02-73	SD034764
		CHECKER: TB 06-01-77	C
		DSN APPVL: TB 06-01-77	SHEET 1 OF 3
		MFG APPVL: --	
		QA APPVL: --	
		MKT APPVL: --	
		PROD FAM: PROD./SMALL COMPRE.	DRAWING NO
		PROJECT #: --	SIZE
		DOCUMENT TYPE: Sales	SD034764
		REL LEVEL: Released	D

REV: PEO200