

NOTICE TO ALL PERSONS RECEIVING THIS DRAWING
 This drawing is only conditionally correct, and neither the drafter nor the designer is responsible for its use. The user of this drawing is advised to check the accuracy of the drawing on any location or condition before using it. The user of this drawing is advised to check the accuracy of the drawing on any location or condition before using it. The user of this drawing is advised to check the accuracy of the drawing on any location or condition before using it.

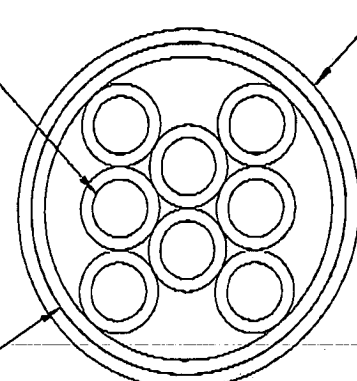
ECP	ECR	REL. DATE	REV. LET.	REVISION	REV. BY	CHK BY	APPROVED BY
		12/11/97	-	SEE NDRA 23593-000A; MCM RELEASE.	WH	WAC	ENG M.E. OA
		5/11/98	A	SEE NDRA 23593-000A; CONDUCTOR WHITE/PURPLE WAS (GRAY)	WH	WAC	BO MA MO
		10/29/98	B	SEE NDRA 23593-000A.	WAC	WAC	BO MA MO
		2/23/04	C	SEE NDRA 23593-000B.	WAC	WAC	PC JZ AH
		3/30/07	D	SEE NDRA 23593-000C.	RFP	RFP	RIG PC JSP

NOTES:

- CABLE TO MEET THE REQUIREMENTS OF M27500-22RE8N06 FOR:
 - A. CONDUCTOR CONSTRUCTION.
 - B. CABLE JACKET INSULATION.
 - C. SHIELD APPLICATION.
 - D. ELECTRICAL REQUIREMENTS.
- MARKER TAPE IDENTIFICATION IS NOT REQUIRED IN THIS CABLE.
- CABLES SHALL BE SPOOLED ON PLASTIC REELS WITH INCREMENTAL LENGTHS NOT SHORTER THAN 250 FEET.

8X CONDUCTOR
 22 AWG 19 STRANDED
 NICKEL COATED COPPER
 TEFLON EXTRUDED INSULATION
 COLOR: 1X WHITE
 1X WHITE/PURPLE
 1X WHITE/BLUE
 1X WHITE/BLACK
 1X WHITE/ORANGE
 1X WHITE/GREEN
 1X WHITE/RED
 1X WHITE/YELLOW
 (SOLID COLORS OR WHITE WITH
 COLORED STRIPES ARE ACCEPTABLE)

OUTER JACKET TEFLON,
 EXTRUDED OR TAPE,
 WRAPPED AND FUSED



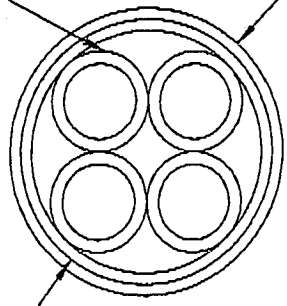
23593-004		PART NUMBER	
Laboratories, Inc. BRANFORD, CT 06405-0010			
DATE		TITLE	
11/10/97	NH	CABLE, ELECTRICAL,	
11/13/97	MAC	8 COND (M27500)	
11/13/97	BO	CAGE CODE	
11/20/97	MA	B 00060	
11/24/97	MD	DRAWING NO. 23593-004	
PREPARED UNDER CONTRACT		SCALE NONE	
FURTHER UNDER CONTRACT		SHEET 1 OF 1	
UNLESS OTHERWISE SPECIFIED: DIMENSIONS ARE IN INCHES TOLERANCES ARE: FRACTIONS DECIMALS ANGLES SURF FINISHES FILLET RADIUS ALL DIMENSIONS TO CENTER UNLESS OTHERWISE SPECIFIED DO NOT SCALE DRAWING NATURAL SPEC FINISH SPEC		APPLICATION	
NEXT ASSEMBLY USED ON		23550-000	

NOTICE TO ALL PERSONS RECEIVING THIS DRAWING
 THIS DRAWING IS ONLY CONDITIONALLY TRUSTED, AND NO OTHER RECEIPT FOR PROVISIONAL
 USE OF THE INFORMATION HEREON IS TO BE GIVEN. TO USE THE SUBJECT
 MATTER OF THIS DRAWING FOR ANY OTHER PURPOSE, WITHOUT THE WRITTEN
 PERMISSION OF HARCO HARCO LABORATORIES, INC. AND FOR REPRODUCTION OF
 THIS DRAWING FOR ANY OTHER PURPOSE, WITHOUT THE WRITTEN PERMISSION OF HARCO
 LABORATORIES, INC.

ECR	REL DATE	REV. LET.	REVISION	REV. BY	CHK BY	APPROVED BY
	12/11/97	-	SEE DURA 23593-000A. NEW RELEASE.	MHC	MHC	ERG H.E. DA
	10/29/99	A	SEE DURA 23593-000A.	MHC	MHC	BD RR JAD
	11/30/07	B	SEE DURA 23593-000C.	HFP	HFP	BD RR RR
						PC JSP

4X CONDUCTOR
 16 ANG 19 STRANDED
 NICKEL COATED COPPER
 TEFLON EXTRUDED INSULATION
 COLOR: 1X WHITE
 1X WHITE/BLUE
 1X WHITE/ORANGE
 1X WHITE/GREEN
 (SOLID COLORS OR WHITE WITH
 COLORED STRIPES ARE ACCEPTABLE)

OUTER JACKET TEFLON,
 EXTRUDED OR TAPE,
 WRAPPED AND FUSED



NOTES:
 1. CABLE TO MEET THE REQUIREMENTS OF
 M27500-16RE4N06 FOR:
 A. CONDUCTOR CONSTRUCTION.
 B. CABLE JACKET INSULATION.
 C. SHIELD APPLICATION.
 D. ELECTRICAL REQUIREMENTS.
 2. MARKER TAPE IDENTIFICATION IS NOT
 REQUIRED IN THIS CABLE.

ECP		ECR	REL DATE	REV. LET.	REVISION	REV. BY	CHK BY	APPROVED BY
			12/11/97	-	SEE DURA 23593-000A. NEW RELEASE.	MHC	MHC	ERG H.E. DA
			10/29/99	A	SEE DURA 23593-000A.	MHC	MHC	BD RR JAD
			11/30/07	B	SEE DURA 23593-000C.	HFP	HFP	BD RR RR
								PC JSP

DATE	11/10/97	APPROVALS	MHC
DATE	11/13/97	APPROVALS	MHC
DATE	11/13/97	APPROVALS	BD
DATE	11/20/97	APPROVALS	RR
DATE	11/26/97	APPROVALS	JMD

DRWG NO.	23593-003
REV.	B
DATE	11/10/97
SCALE	NONE
SHEET	1 OF 1

LABORATORIES, INC.	BRANFORD, CT 06405-0010
CABLE, ELECTRICAL, 4 COND (M27500)	
STANDARD NO.	23593-003
REV.	B