



# Heyco® -Tite Liquid Tight Cordgrips Straight-Thru, PG Hubs

For Flexible Cords. For use in clearance or threaded holes.

*The Ultimate in Liquid Tight Strain Relief Protection*

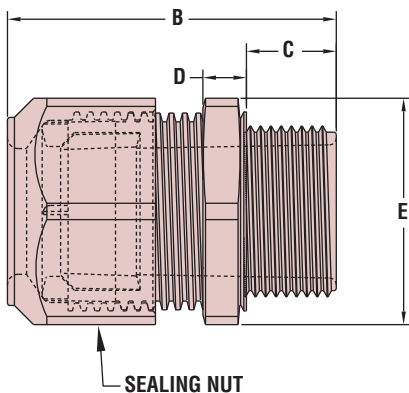


CABLE DIA. RANGE				PART NO.		DESCRIPTION	PART DIMENSIONS									
Min. Dia.		Max. Dia.		Black	Gray		A Clearance Hole		B Max. O.A. Length		C Thread Length		D Wrenching Nut Thk.		E Wrenching Flats	
in.	mm.	in.	mm.				in.	mm.	in.	mm.	in.	mm.	in.	mm.	in.	mm.
.065	1,7	.220	5,6	M3444	M3445	*RLTCG 7	.492	12,5	1.16	29,5	.32	8,1	.21	5,3	.63	16,0
.115	2,9	.250	6,4	M3207	M3208	*LTCG 7										
.065	1,7	.187	4,7	M3446	M3447	*RLTCG 9	.599	15,2	1.25	31,8	.32	8,1	.21	5,3	.83	21,0
.105	2,7	.312	7,9	M3210	M3211	*LTCG 9										
.069	1,8	.250	6,6	M3448	M3449	*RLTCG 11	.733	18,6	1.48	37,6	.38	9,7	.21	5,3	.94	23,9
.230	5,8	.395	10,0	M3213	M3214	*LTCG 11										
.095	2,4	.260	6,6	M4500	M4501	RLTCG 13.5	.804	20,4	1.50	38,1	.41	10,4	.21	5,3	.98	24,9
.170	4,3	.450	11,4	M3216	M3217	LTCG 13.5										
.180	4,6	.440	11,2	M4502	M4503	RLTCG 16	.886	22,5	1.68	42,7	.44	11,2	.25	6,4	1.06	26,9
.260	5,8	.546	13,9	M3219	M3220	LTCG 16										
.250	6,4	.485	12,3	M3454	M3455	RLTCG 21	1.115	28,3	1.89	48,0	.52	13,2	.25	6,4	1.30	33,0
.485	12,3	.709	18,0	M3222	M3223	LTCG 21										
.490	12,4	.787	20,0	M4504	M4505	RLTCG 29	1.470	37,7	2.23	56,6	.58	14,7	.30	7,6	1.73	43,9
.590	15,0	1.000	25,4	M3225	M3226	LTCG 29										
.787	20,0	1.020	25,9	M3206	M3205	RLTCG 36	1.875	47,6	2.72	69,1	.47	11,9	.31	7,6	2.05	52,1
.865	22,0	1.260	32,0	M3204	M3203	LTCG 36										
1.00	25,4	1.240	31,5	M3218	M3215	*RLTCG 42	2.13	54,1	2.50	63,5	.45	11,4	.36	9,1	2.48	63,0
1.23	31,2	1.560	39,6	M3212	M3209	*LTCG 42										
1.16	29,5	1.560	34,3	M3283	M3284	*RLTCG 48	2.34	59,4	2.63	66,7	.49	12,4	.42	10,7	2.75	69,9
1.45	36,8	1.560	44,0	M3281	M3282	*LTCG 48										

Standard colors black and gray.

\* Recognized under Underwriters' Laboratories.

- Multiple sizes for cable diameters ranging from .065" (1,7 mm) to 1.730" (44,0 mm).
- We recommend using the fitting with the smallest maximum diameter that will fit your application.
- Ratchet design of sealing nut assembly provide superior anti-vibration protection and ensures a firm grip on this cable.
- Integral Sealing Ring ensures a superior seal at mounting locations every time.
- Acme threads on body prevent skipping and speed installation.
- All nylon construction with Buna N sealing gland resists salt water, weak acids, gasoline, alcohol, oil, grease, and common solvents. This feature is not assessed by UL.
- Suitable for NEMA 6 and 6P enclosures.
- **Locknuts INCLUDED.**
- Consult Heyco for cordgrips molded in other colors.



SUGGESTED CLEARANCE HOLE FOR NONTHEADED MOUNTING

<b>Materials</b>	6/6 Nylon w/Buna N Sealing Gland
<b>Certifications</b>	Listed Underwriters' Laboratories File E51579
	Certified by Canadian Standard Association File LR93876C
<b>Flammability Rating</b>	94V-2
<b>Temperature Rating</b>	Static -40°F (-40°C) to 239°F (115°C)
	Dynamic -4°F (-20°C) to 212°F (100°C)
<b>IP Rating</b>	IP 68 (70 PSI, 5 BAR)

Quick  
Specs