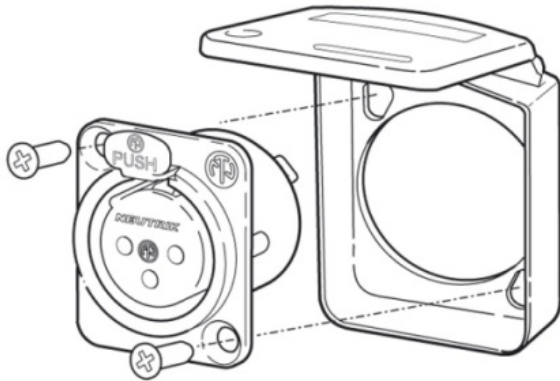


# SCDX

This hinged cover seals D-size chassis connectors from water, dust and dirt in unmated condition according to IP42. It is available in different colors.

SCDX – black (if used with opticalCON, black indicates multi-mode)  
 SCDX-5 – green (if used with opticalCON, green indicates single-mode APC)  
 SCDX-6 – blue (if used with opticalCON, blue indicates single-mode PC)  
 SCDX-9 – white (e.g. walloutlet)



[Downloads](#)

Suitable for:

XLR D Series female  
 XLR D Series male  
 1/4" Jacks D Series  
 speakON NL2M\* and NL4M\*  
 powerCON 20 A Series NAC3MPA\* and NAC3MPB\*  
 powerCON TRUE1 NAC3MPX  
 USB NAUSB-W\*  
 HDMI NAHDMI-W\*  
 D-SUB NADB\*  
 Firewire NA1394-6-W\*  
 etherCON A&B Series  
 etherCON D Series  
 etherCON CAT6 Chassis Connectors  
 BNC D Series  
 Phono (RCA) Chassis Connectors

Technical Information [hide](#)

## Product

Title SCDX

## Mechanical

### Material

Sealing cover PP-R

## Environmental

Flammability UL 94 HB

Temperature range

-30° to +80 °C

---