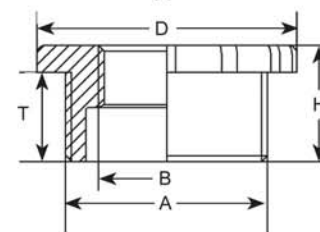


Gray Nylon - Thread Reducers: PG to PG Threads*

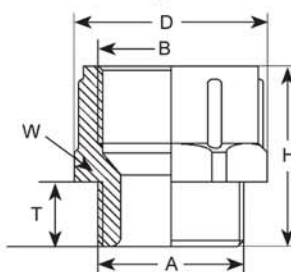
Part Numbers	Threads		Adapter Type	Dimensions in Inches (mm)			
	Male Thread A	Female Thread B		T	H	D	W
				Thread Length	Height	Outer Diameter	Wrench Flat
RR-0907-GY	PG 9	PG 7	B	.31 (8)	.55 (14)	.75 (19)	.59 (15)
RR-1109-GY	PG 11	PG 9	B	.31 (8)	.71 (18)	.89 (22.5)	.75 (19)
RR-1309-GY	PG 13 / 13.5	PG 9	A	.31 (8)	.47 (12)	1.06 (27)	N/A
RR-1311-GY	PG 13 / 13.5	PG 11	B	.35 (9)	.83 (21)	1.0 (25.5)	.87 (22)
RR-1609-GY	PG 16	PG 9	A	.39 (10)	.51 (13)	1.14 (29)	N/A
RR-1611-GY	PG 16	PG 11	A	.39 (10)	.51 (13)	1.14 (29)	N/A
RR-1613-GY	PG 16	PG 13 / 13.5	B	.39 (10)	.98 (25)	1.13 (28.5)	.94 (24)
RR-2113-GY	PG 21	PG 13 / 13.5	A	.43 (11)	.53 (13.5)	1.42 (36)	N/A
RR-2116-GY	PG 21	PG 16	A	.43 (11)	.53 (13.5)	1.42 (36)	N/A
RR-2921-GY	PG 29	PG 21	A	.43 (11)	.53 (13.5)	1.81 (46)	N/A
RR-3629-GY	PG 36	PG 29	A	.43 (11)	.59 (15)	2.28 (58)	N/A



Type A



Type B



Gray Nylon - Thread Reducers: Metric to Metric Threads*

Part Numbers	Threads		Adapter Type	Dimensions in Inches (mm)			
	Male Thread A	Female Thread B		T	H	D	W
				Thread Length	Height	Outer Diameter	Wrench Flat
RR-1612-GY	M16 x 1.5	M12 x 1.5	C	.35 (9)	.63 (16)	.94 (24)	.87 (22)
RR-2016-GY	M20 x 1.5	M16 x 1.5	C	.35 (9)	.63 (16)	1.06 (27)	.94 (24)
RR-2520-GY	M25 x 1.5	M20 x 1.5	C	.39 (10)	.67 (17)	1.26 (32)	1.14 (29)
RR-3225-GY	M32 x 1.5	M25 x 1.5	C	.47 (12)	.75 (19)	1.57 (40)	1.42 (36)
RR-4032-GY	M40 x 1.5	M32 x 1.5	C	.47 (12)	.75 (19)	2.01 (51)	1.81 (46)
RR-5040-GY	M50 x 1.5	M40 x 1.5	C	.55 (14)	.83 (21)	2.40 (61)	2.17 (55)
RR-6350-GY	M63 x 1.5	M50 x 1.5	C	.59 (15)	.87 (22)	2.95 (75)	2.56 (65)

Operating Temperature (Gray Nylon Reducers): -40 °F to 176 °F (-40 °C to 80 °C)

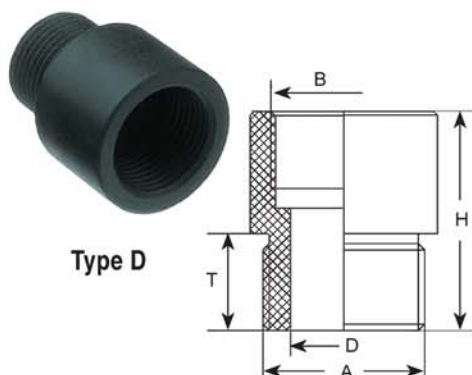
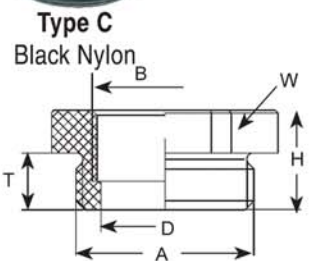
Black Nylon - Thread Reducers: Metric to Metric Threads*

Part Numbers	Threads		Adapter Type	Dimensions in Inches (mm)			
	Male Thread A	Female Thread B		T	H	D	W
				Thread Length	Height	Inner Diameter	Wrench Flat
RM-1612-BK	M16 x 1.5	M12 x 1.5	C	.31 (8)	.24 (6)	.39 (10)	.79 (20)
RM-2016-BK	M20 x 1.5	M16 x 1.5	C	.31 (8)	.24 (6)	.53 (13.5)	.98 (25)
RM-2520-BK	M25 x 1.5	M20 x 1.5	C	.31 (8)	.24 (6)	.71 (18)	1.14 (29)
RM-3225-BK	M32 x 1.5	M25 x 1.5	C	.39 (10)	.24 (6)	.91 (23)	1.42 (36)
RM-4032-BK	M40 x 1.5	M32 x 1.5	D	.59 (15)	.20 (5)	1.18 (30)	N/A
RM-5040-BK	M50 x 1.5	M40 x 1.5	D	.59 (15)	.20 (5)	1.50 (38)	N/A
RM-6350-BK	M63 x 1.5	M50 x 1.5	D	.59 (15)	.20 (5)	1.89 (48)	N/A

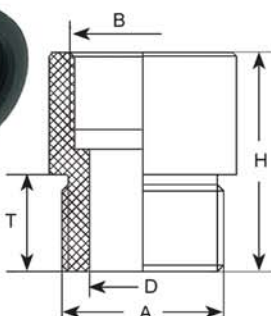
Operating Temperature (Black Nylon/Polypropylene Reducers): -4 °F to 176 °F (-20 °C to 80 °C)



Type C
Gray Nylon



Type D



*Note: O-Ring not Included
See page 49 for thread specifications.

Black Polypropylene - Thread Reducers: NPT to NPT Threads*

Part Numbers	Threads		Adapter Type	Dimensions in Inches (mm)		
	Male Thread A	Female Thread B		T	H	D
				Thread Length	Height	Inner Diameter
RB-3412-02	3/4" NPT	1/2" NPT	C	.64 (16.2)	.89 (22.5)	.70 (17.7)
RB-3438-02	3/4" NPT	3/8" NPT	C	.63 (15.9)	.88 (22.2)	.70 (17.7)
RB-1012-02	1" NPT	1/2" NPT	C	.65 (16.5)	.90 (22.9)	.91 (23.1)
RB-1034-02	1" NPT	3/4" NPT	C	.65 (16.5)	.90 (22.9)	.92 (23.4)
RB-1214-02	1/2" NPT	1/4" NPT	C	.57 (14.4)	.81 (20.7)	.56 (14.2)
RB-1238-02	1/2" NPT	3/8" NPT	C	.57 (14.6)	.82 (20.9)	.56 (14.2)